

## Function-integrated profiles: Including cable guide

1.0



**WE MOVE.  
YOU WIN.**

# One construction profile - plenty of room for ideas

**The new function-integrated profiles (FIP) from Rexroth offer a large usable interior and finally create more space for your design ideas: the completely internal cable guide allows for the safe and space-saving laying of cables, data lines and hoses – and thanks to the new profile joints, they can even be laid through profile connectors for the first time.**

**This simplifies and speeds up not only the design process, but also assembly, installation and maintenance.**

---

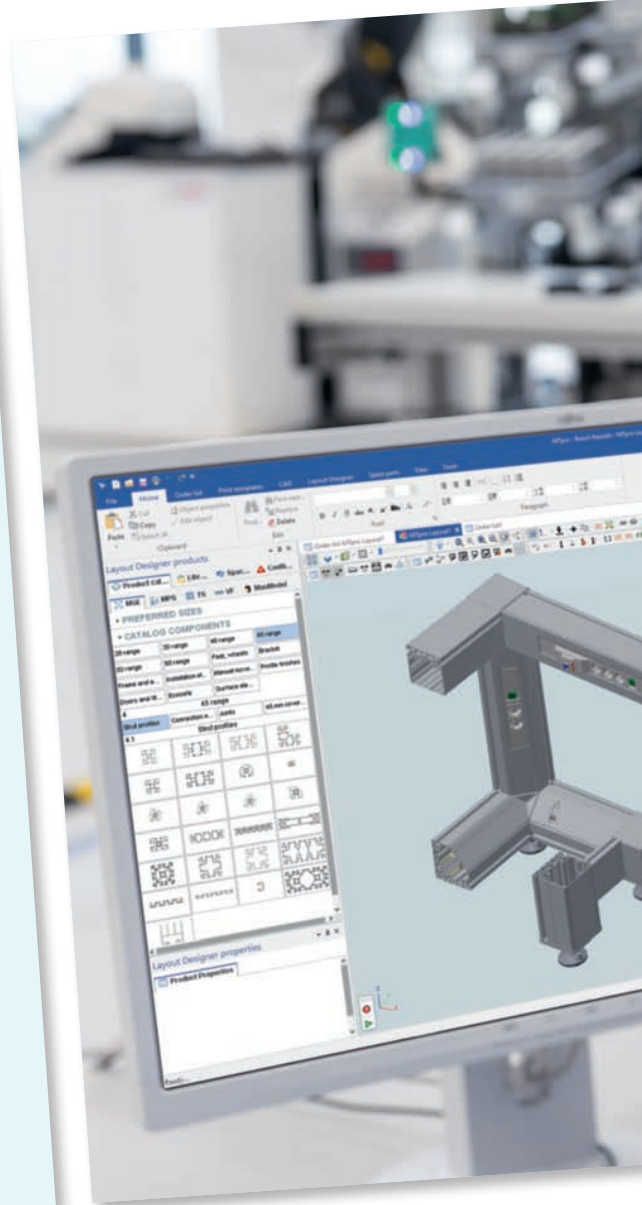
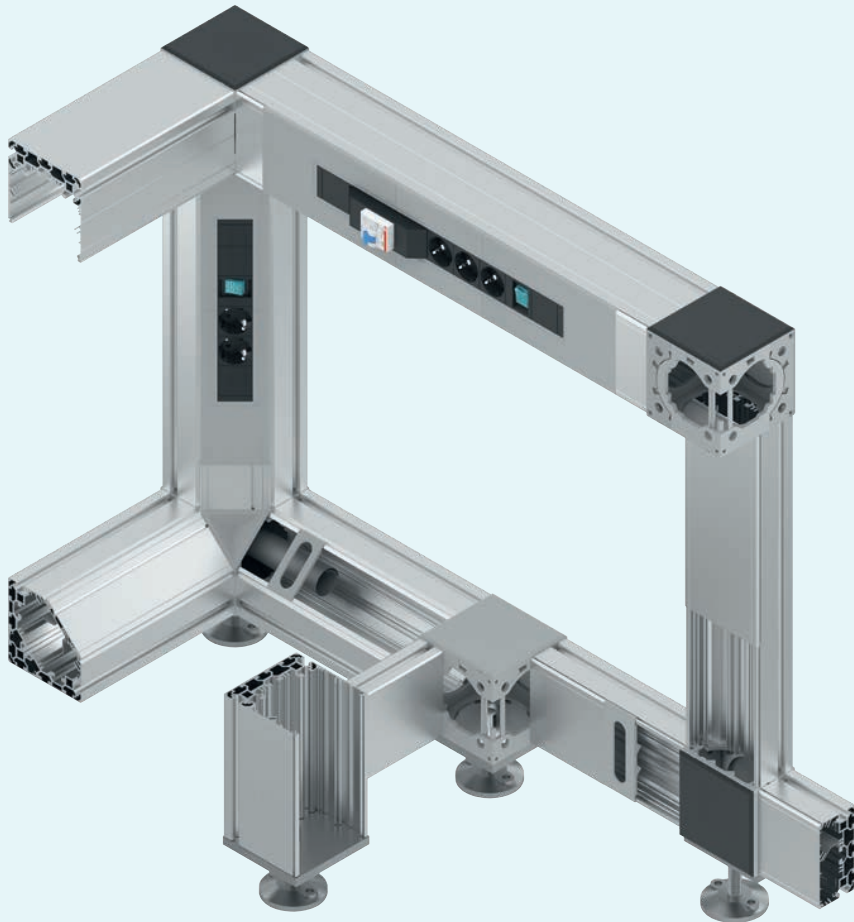
4	Advantages of the profile system
6	Component overview
8	Profiles and joints
10	System compatibility
12	Stability and load carrying capacity

---

## **13 FUNCTION-INTEGRATED PROFILES**

14	Cable guide profiles
18	Cover plate
20	Profile joints 3/4 and 1/2
	Positioning pin
	Edge protector
22	Connection bracket
	Spacers
24	Cover caps
27	Cover
	Cover rail
29	Cable hole
30	Base plate
32	Potential equalizer line
32	Protective hose
33	Dividing strip
34	Tools
36	Compatible parts

## Few parts, high variability – build a safe frame more quickly



### All freedoms in the design

Thanks to a 10 mm groove, all elements from the Rexroth modular profile system can be easily mounted, cavities simply separated with separators and cables laid separately. The aluminum covers on the profile have a hinge function, ensuring ease of installation and maintenance. Screw holes for mounting covers and attachments parts provide safety and stability.

The unique profile joint not only withstands high transmission forces, but also allows for completely internal wiring. This way, the installation remains invisible until it is led out of the profile at their place of use. Function-integrated profiles are compatible with standard profiles. You can combine freely, of course also with various accessories.

**Rexroth's answer to the demands of designers, fitters and operators is a solid machine frame based on just four profile cross-sections and offering a great deal of flexibility, not least thanks to its high level of compatibility:**

#### IN THE DESIGN PROCESS

- ▶ Cable laying possibilities in the entire enclosure, without constructive changes
- ▶ Design support through MTpro planning software
- ▶ Components designed for stable machine frames
- ▶ Few components with a wide range of uses for a lot of design freedom
- ▶ Checked performance data
- ▶ Universal ESD-compatibility
- ▶ Compatible with the modular profile system Bosch Rexroth Basic Mechanic Elements and manual production systems

#### DURING ASSEMBLY AND INSTALLATION

- ▶ Versatile mounting options with a small variety of parts
- ▶ Safe installation due to dividing strips as well as edge protectors and a protective hose, so that cables are not damaged
- ▶ Quick integration of sockets and cable outlets through a coordinated range of accessories
- ▶ Large cavities in the profiles offer high capacity and good accessibility
- ▶ Cavity can be divided into different chambers via dividing strips (clarity, EMC regulation)

#### DURING OPERATION AND MAINTENANCE

- ▶ Safety due to internal cable routing even over profile joints
- ▶ Safety through conformity to standards: ESD, Machinery Directive, protective conductor, EMC regulation, VDE certified
- ▶ Maintenance: hinged cover, remains on the profile when open
- ▶ Flexibility to change the cabling without changing the frame
- ▶ Subsequent installation of dividing strips possible
- ▶ Design: simple and high-quality design with closed surfaces, plastic parts in signal gray for low-contrast frames

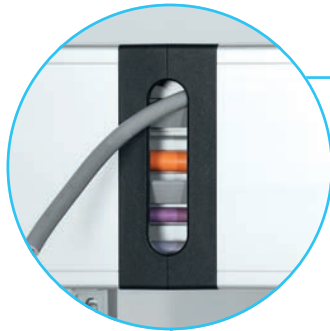
▲ **MTpro supports you in the planning and design of all Rexroth assembly technology systems - from selection and configuration to product ordering**

An appealing design rounds off the FIP system – with closed outer sides and contrasting plastic elements in signal gray or black (ESD-compatible).

# Inner and outer values: FIP component overview

## Cable hole

Cables are protected from sharp edges



## Cover

Simple installation of socket strips



## Edge protector

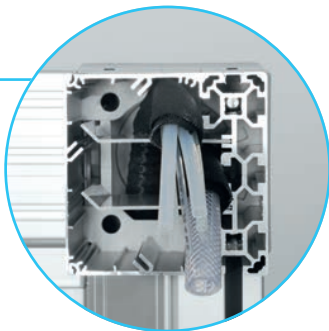
Cables are protected from sharp edges



## Base plate

Stable stand and high load capacity





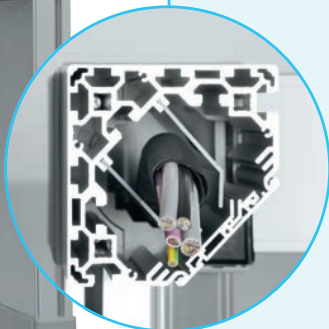
**Dividing strip  
Protective hose**

Separation into different chambers (EMC-compliant)



**Connection bracket  
Cover caps**

Edge protector and easy cable laying



**Profile joint**

Completely internal cable routing, also over profile joints



**Proper grounding**

Potential equalization

**OVERVIEW OF THE  
ADVANTAGES**

- +** Completely integrated, safe cable routing in the frame construction through unique profile joints and functional profiles
- +** High flexibility in planning due to a small variety of parts with only 4 profile cross-sections, matching the application
- +** Complete compatibility with the Basic Mechanic Elements kit from Rexroth
- +** Aesthetically and technically high-quality design, e.g. closed external surfaces, accentuating plastic parts
- +** Low installation effort with safe cable routing and installation
- +** Saves time and money thanks to easy design, installation and maintenance

# The cable guide profiles: Functions



- ▶ Base body and cover pre-assembled
- ▶ High-quality, attractive external finish thanks to anodized surface
- ▶ Cover with hinge and latch function for quick access
- ▶ The cover can be secured with a self-tapping screw
- ▶ 4 sizes (mm):  
60x120, 120x120, 120x120 6N, 40x120x120 as corner profile
- ▶ Plastic components in 2 variants: signal gray and black (ESD)
- ▶ Compatible with the MGE/MPS modules
- ▶ High stability and load carrying capacity

**Screw hole for potential equalization**

**Position for self-tapping screw to secure the cover**

**Screw hole for fastening the cover plate**

**Hinge function for cover**

**Convertible dividing strip**

**Dovetail for mounting aluminum cable ducts**

**Cavity for guiding cables and hoses**

**10 mm groove for mounting installation elements**

**Core pull for thread M12**

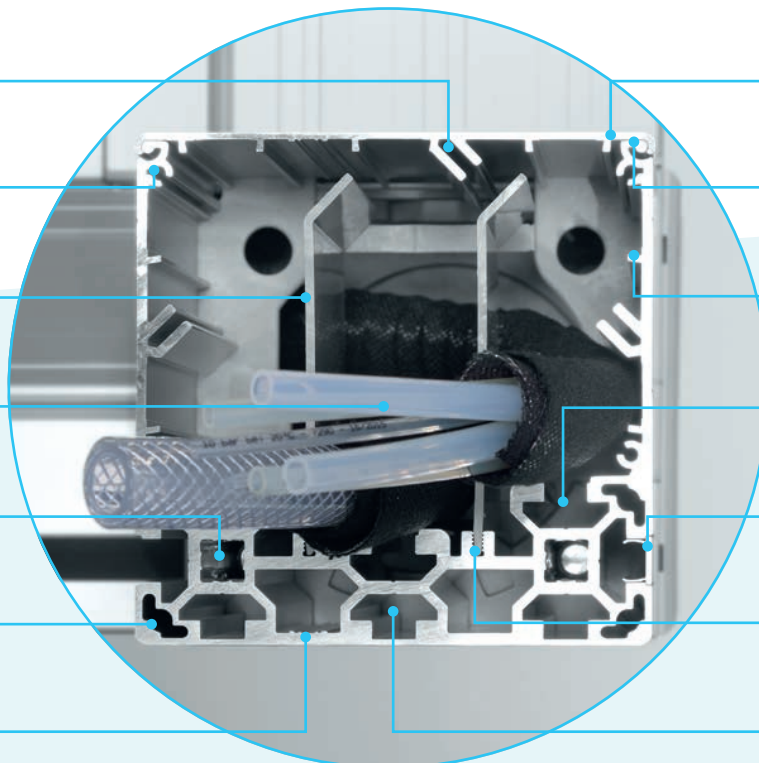
**Pluggable slot cover**

**Aluminum profile with design grooves**

**Mount for dividing strip**

**Closed outside for high-quality design**

**Concealed 10 mm groove for mounting accessories**





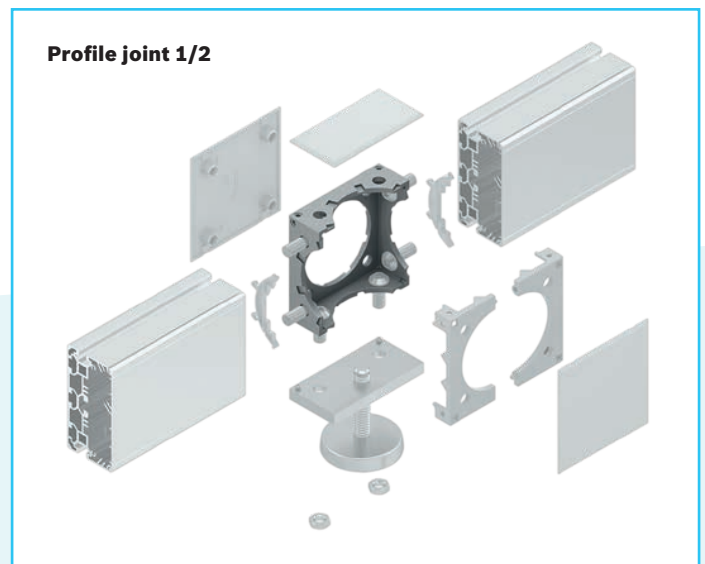
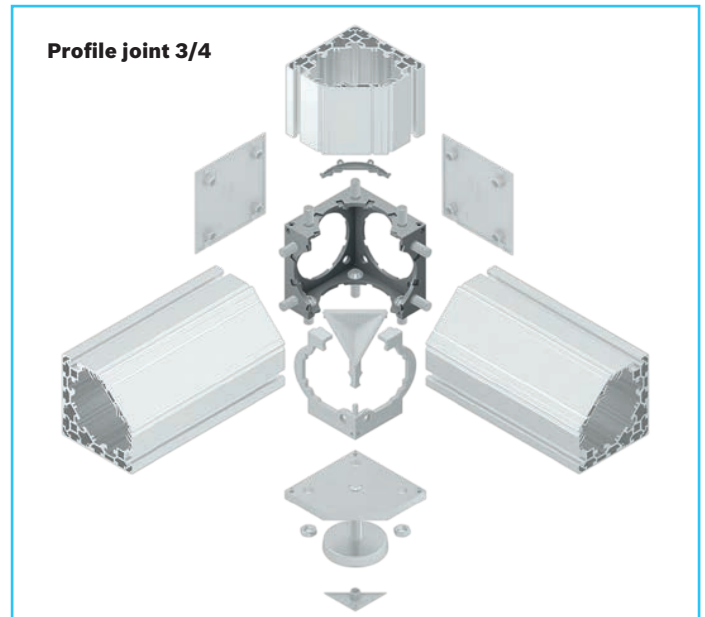
# The central connection element: Profile joint

**Profile joints 1/2 and 3/4 are the central connection element of the function-integrated profiles and enable highly variable, internal cable routing even across profile butt joints. Hoses and cables must first be led out of the frame where they are needed.**

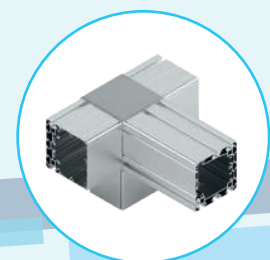
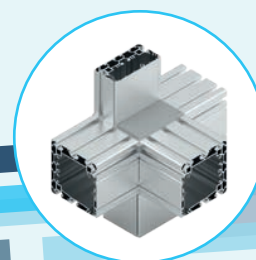
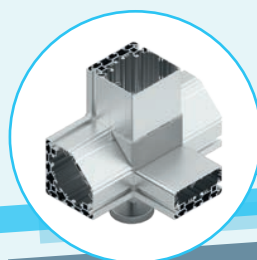
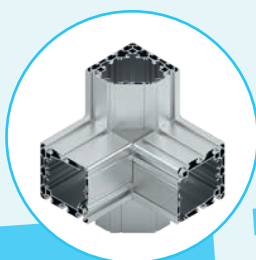
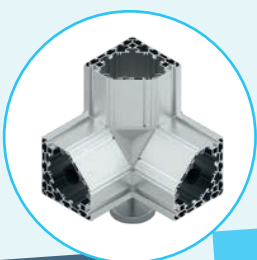
Both cable routing profiles and standard MGE profiles can be connected to the profile joint. The customer thus decides where in the frame the space for cables should be reserved and where the cheaper standard profiles can be used.

The profile joints are very stable and are mounted in the core pull of the profiles using M12 screws. The combination possibilities are extremely diverse.

Plastic connection brackets and spacers complete the nodes and allow cables and lines to be inserted into existing frames at a later date. They also serve as edge protectors and to accommodate the cover caps. To close unused openings, cover caps are offered for each connection - as standard in signal gray or in the black ESD version.

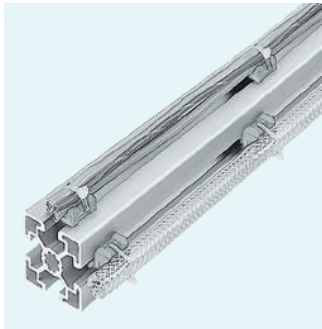


## ATTACHMENT OPTIONS



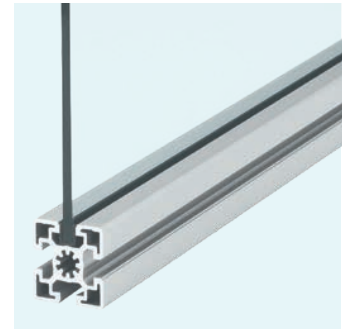
# Function-integrated profiles: Accessories and system compatibility

The function-integrated profiles are fully compatible with the standard profiles and all accessories of the MGE modular system from Rexroth. You can freely combine and realize almost any design. An appealing design rounds off the FIP system – with closed outer sides and contrasting plastic elements in signal gray or black (ESD-compatible).



#### Cable bracket

- ▶ Fixing of individual cables with cable ties or Velcro tape



#### Mounting rim profile

- ▶ Different versions
- ▶ Holder for panel elements up to 8 mm thick

**Catalog MGE 14.0,  
Section 11,  
Installation elements**

**Catalog MGE 14.0,  
Section 7,  
Mounting of panel elements**



#### Folding door element

- ▶ For the construction of folding doors made of 30 mm profiles
- ▶ High service life

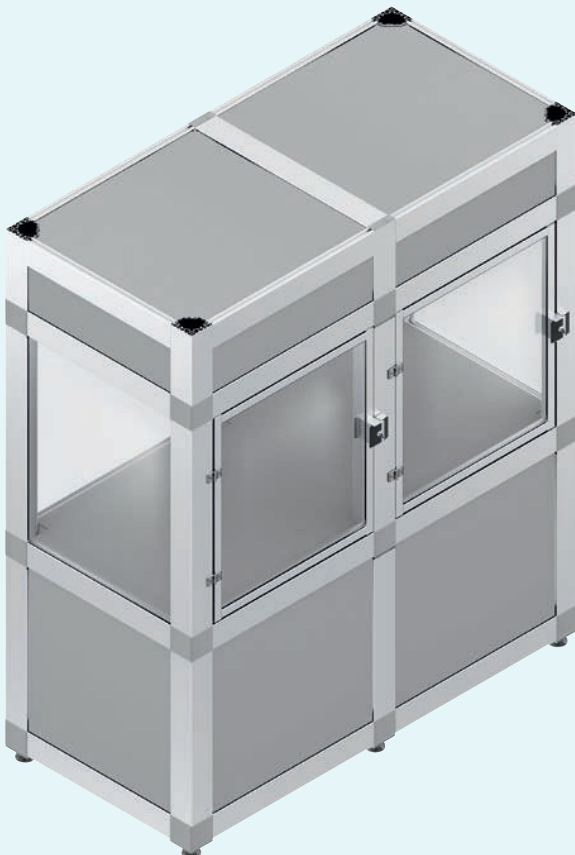
**Catalog MGE 14.0,  
Section 8,  
Doors and fittings**



#### Door handle

- ▶ Sturdy handles for opening of doors or flaps

**Catalog MGE 14.0,  
Section 8,  
Doors and fittings**





**Variofix block**

- ▶ Mount for panel elements
- ▶ For subsequent installation in closed frames

**Catalog MGE 14.0, Section 7, Mounting of panel elements**



**Feet**

- ▶ Leveling feet to compensate for uneven floors up to 10 degrees
- ▶ High load bearing capacity

**Catalog MGE 14.0, Section 6, Feet and wheels**



**Socket strip**

- ▶ With two or three protective contact sockets
- ▶ Space-saving arrangement for angled plugs

**Catalog MPS 7.0, Paragraph "Jobs", page 46**



**Door lock**

- ▶ Opening to the right and left
- ▶ Standard and identical locking possible

**Catalog MGE 14.0, Section 8, Doors and fittings**



**Hinge**

- ▶ Different versions
- ▶ Matched to profile grid

**Catalog MGE 14.0, Section 8, Doors and fittings**

**THE CATALOGUES**

**MGE – BASIC MECHANIC ELEMENTS**

Material number 3 842 540 392

**MPS – MANUAL PRODUCTION SYSTEMS**

Material number 3 842 538 281

Further information on function-integrated profiles can also be found on the Bosch Rexroth website at [www.boschrexroth.com/fip](http://www.boschrexroth.com/fip)

# Function-integrated profiles: Stability and load carrying capacity



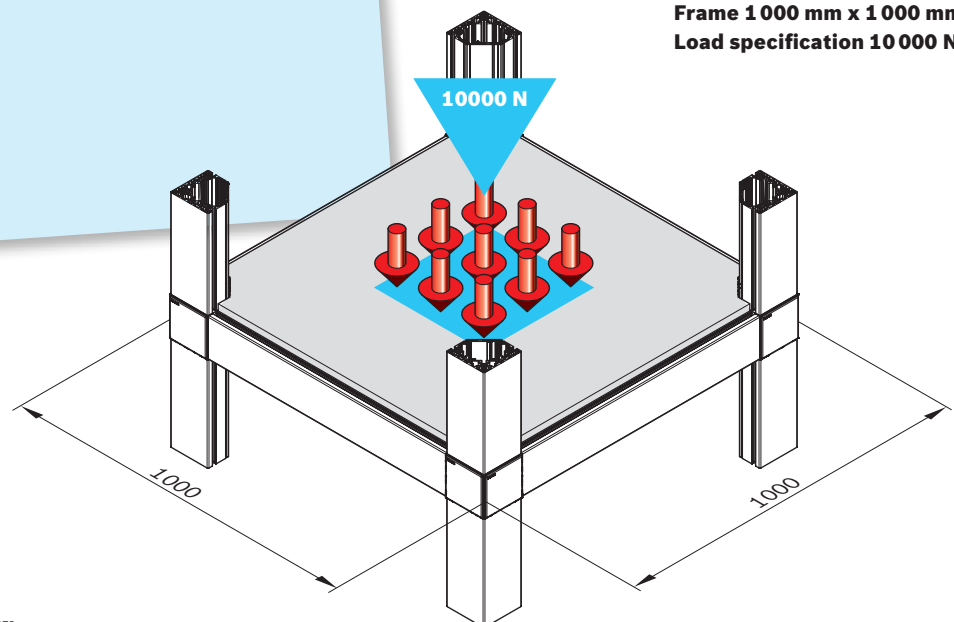
**The range of function-integrated profiles is designed for high loads. The profiles in the 40 mm profile grid include the stable 10 mm Rexroth groove and allow strong M12/S12 screws to be screwed into the core pull.**

The central connection element in the system is the profile joints 1/2 and 3/4.

The connection elements are made of solid die-cast aluminum. The screw connection in the core pull of the profiles creates a high-strength connection as the basis for a resilient machine frame.

The base plates are designed for the use of M16 spindles, which can take up to 30 000 N.

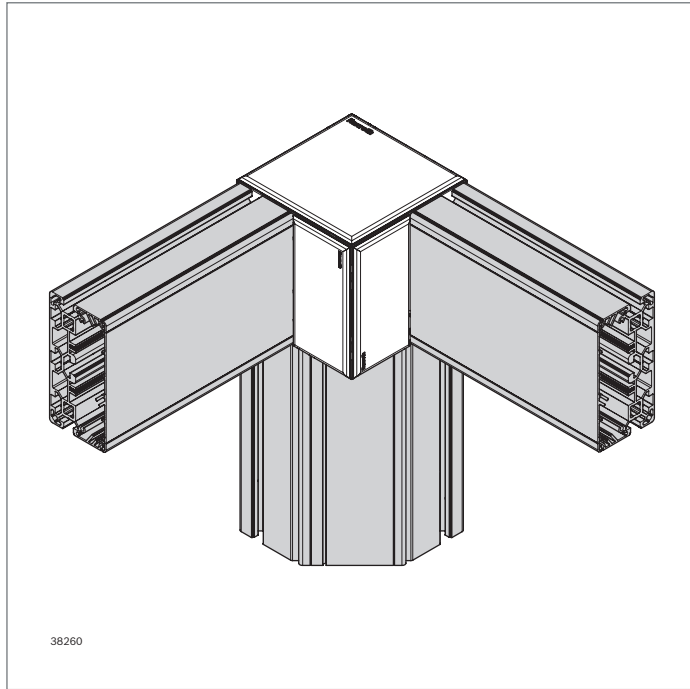
▼ **Load example:**  
**Frame 1 000 mm x 1 000 mm**  
**Load specification 10 000 N**



38378

# Function-integrated profiles

<b>Cable guide profiles</b>	<b>14</b>
<b>Cover plate</b>	<b>18</b>
<b>Profile joints 3/4 and 1/2</b> <b>Positioning pin</b> <b>Edge protector</b>	<b>20</b>
<b>Connection bracket</b> <b>Spacers</b>	<b>22</b>
<b>Cover caps</b>	<b>24</b>
<b>Cover</b> <b>Cover rail</b>	<b>27</b>
<b>Cable hole</b>	<b>29</b>
<b>Base plate</b>	<b>30</b>
<b>Potential equalizer line</b>	<b>32</b>
<b>Protective hose</b>	<b>32</b>
<b>Dividing strip</b>	<b>33</b>
<b>Tools</b>	<b>34</b>
<b>Compatible parts</b>	<b>36</b>



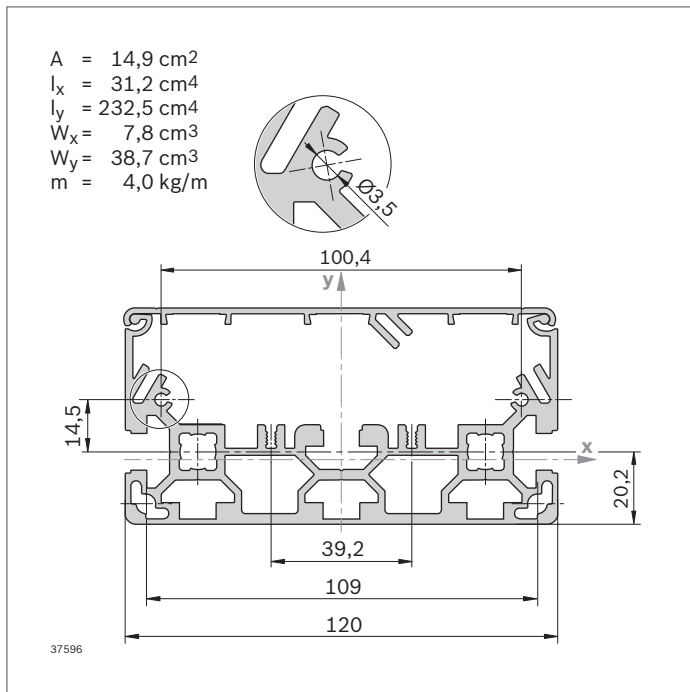
## Cable guide profiles



- ▶ Construction profiles with usable interior space for guiding cables and hoses
- ▶ 2 parts (profile and cover)
- ▶ Cover with hinge function on both sides
- ▶ Concealed 10 mm groove for mounting socket strips or installation elements
- ▶ Screw holes for mounting cover plates
- ▶ Closed exterior
- ▶ Mount for dividing strips and grounding cables
- ▶ Mount for potential equalizer

Optional accessories:

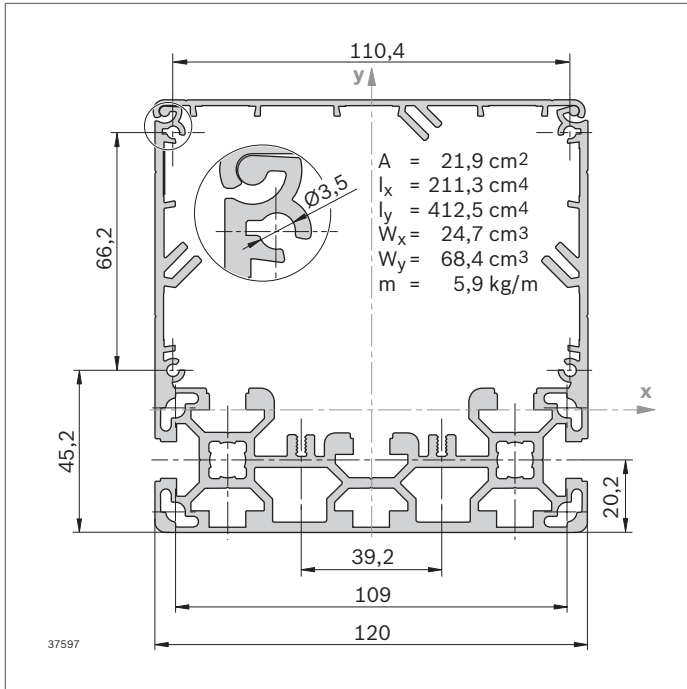
Self-tapping screw (**3 842 552 267**) to secure the cover  
 Potential equalizer line (**3 842 552 234**, p. 32)



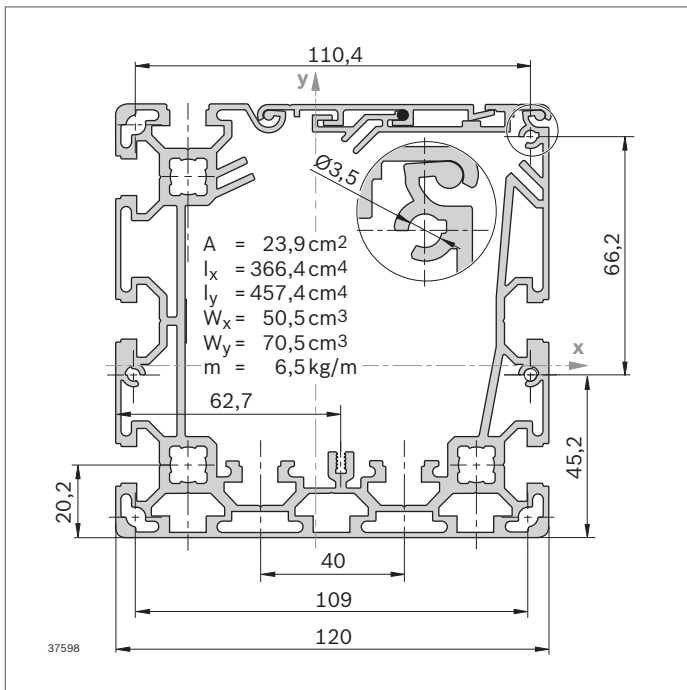
60x120		L (mm)	No.
1 pc		100 ... 6070	<b>3 842 996 361</b>
1 pc	M12	100 ... 6000	<b>3 842 996 364</b>
1 pc	M12	110 ... 6000	<b>3 842 996 365</b>
10 pcs		6070	<b>3 842 558 242</b>

Profile finishing: M12: in all core holes

Usable interior space: 600 mm<sup>2</sup>



Usable interior space: 4000 mm<sup>2</sup>



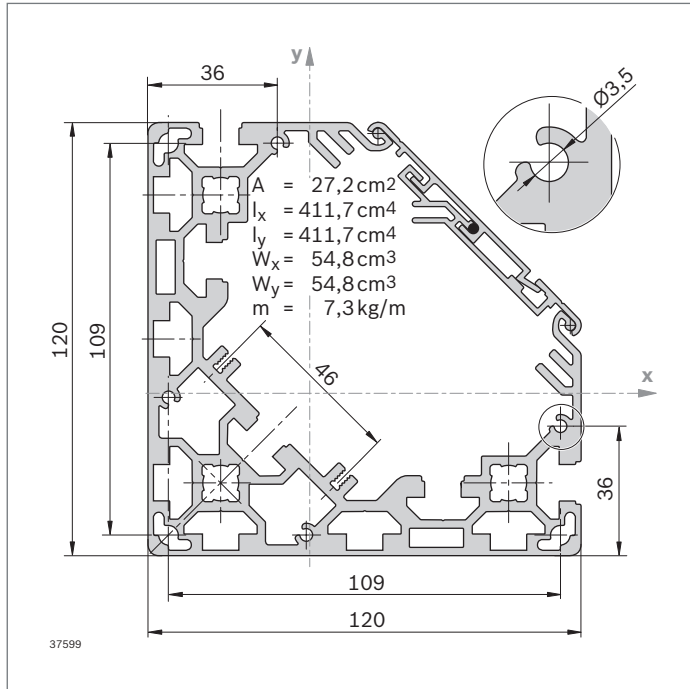
Usable interior space: 4600 mm<sup>2</sup>

<b>120x120</b>		<b>L (mm)</b>	<b>No.</b>
1 pc		100 ... 6070	<b>3 842 996 360</b>
1 pc		100 ... 6000	<b>3 842 996 366</b>
1 pc		110 ... 6000	<b>3 842 996 367</b>
	4 pcs	6070	<b>3 842 558 241</b>

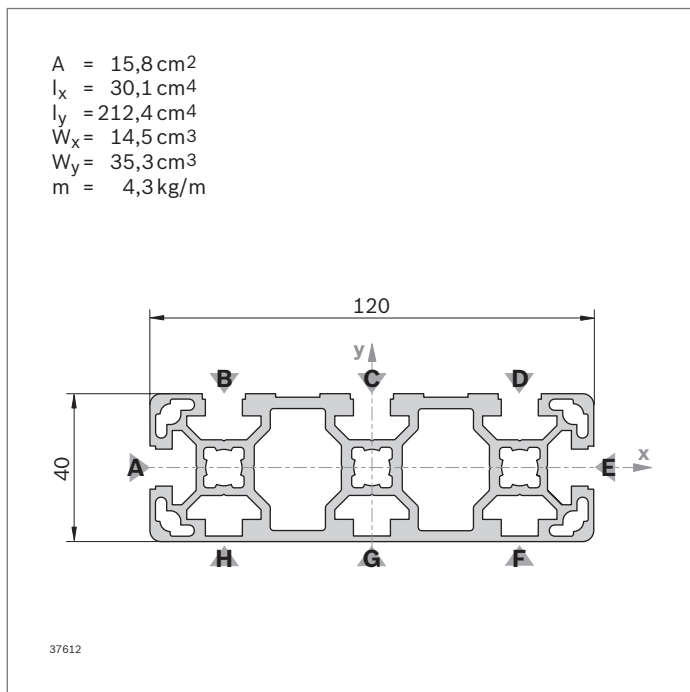
Profile finishing: M12: in all core holes

<b>120x120 6N</b>		<b>L (mm)</b>	<b>No.</b>
1 pc		100 ... 6070	<b>3 842 994 039</b>
1 pc		100 ... 6000	<b>3 842 994 054</b>
1 pc		110 ... 6000	<b>3 842 994 059</b>
	4 pcs	6070	<b>3 842 558 190</b>

Profile finishing: M12: in all core holes



Usable interior space: 3200 mm<sup>2</sup>



40x120x120		L (mm)	No.
1 pc		100 ... 6070	<b>3 842 996 362</b>
1 pc	M12	100 ... 6000	<b>3 842 996 368</b>
1 pc	M12	M12 110 ... 6000	<b>3 842 996 369</b>
4 pcs		6070	<b>3 842 558 243</b>

Profile finishing: M12: in all core holes

40x120L 5N		L (mm)	No.
1 pc		50 ... 6070	<b>3 842 996 363</b>
10 pcs		6070	<b>3 842 558 480</b>

**Quick & Easy** (see MGE catalog)

40x120L 5N		3 842 993 771 / ...
Length L (mm)		50 ... 6070
Standard profile finishing $L_{\max} = 6000 \text{ mm}$ (Observe minimum length, see MGE catalog)		M12 / D9.8 (B,C,D,F, G,H) <sup>1)</sup> / D17 (B,C,D,F, G,H) <sup>1)</sup> / DB17 / F1 (A,E) <sup>1)</sup>
Customized profile finishing ( $L_{\max i} = 5400 \text{ mm}$ )		DI / DIS / MT / MTS / MI / MIS / DG <sup>2)</sup>

<sup>1)</sup> For the specified slots

<sup>2)</sup>  $DG_{\max} = 45^\circ$ ;  $L_{\min 1} / L_{\min 2} = 439 / 578 \text{ mm}$

Cover cap	Color	ESD	No.
40x40 (1x)	Signal gray	100	<b>3 842 548 746</b>
40x80 (1x)	Signal gray	20	<b>3 842 548 748</b>
40x40 (1x)	Black		20 <b>3 842 548 747</b>
40x80 (1x)	Black		20 <b>3 842 548 749</b>

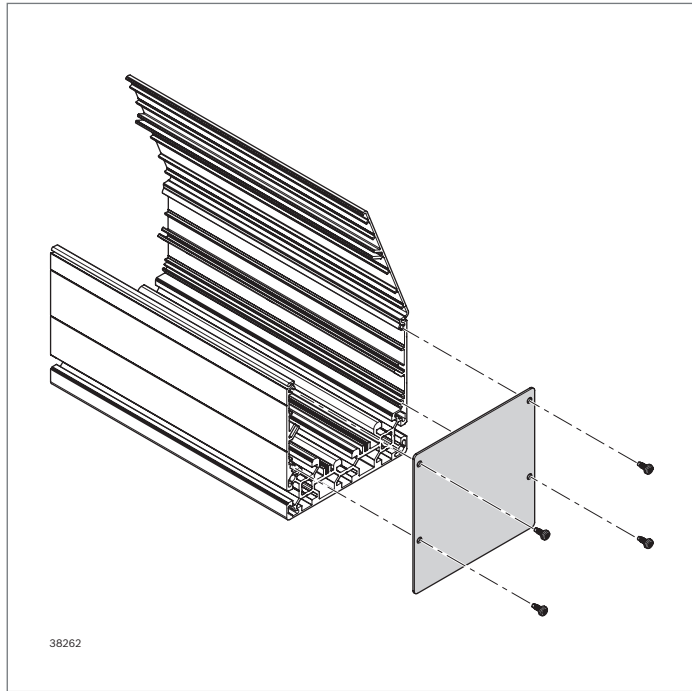
Material: PP

**Notice:**

For the 40x120L profile you require the following combination of cover caps: 1x 40x40 und 1x 40x80

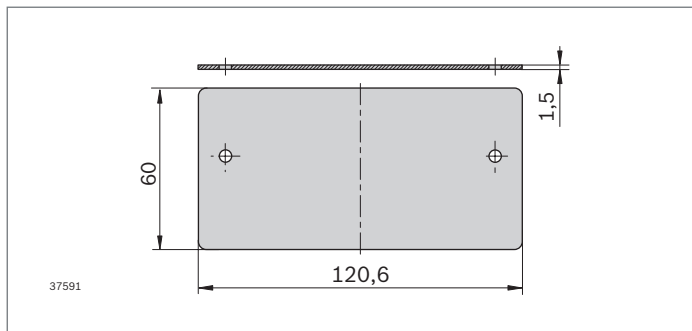
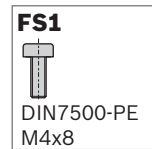






## Cover plate

- ▶ Closes cable routing profiles at the front
- ▶ Surface anodized
- ▶ Fastened securely with screws

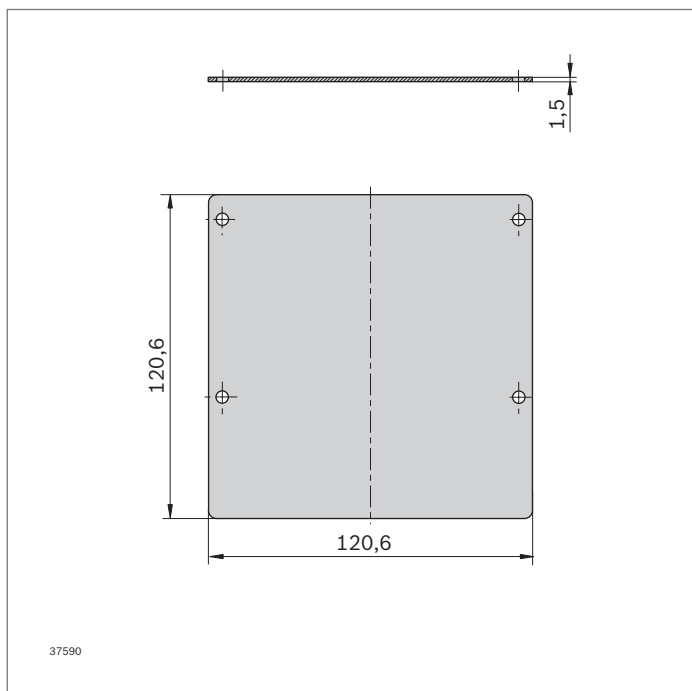


- ▶ For cable routing profile 60x120

Cover plate	ESD	No.	FS
60x120	⚡	10 3 842 558 233	2x FS1

Material: Cover plate: Aluminum sheet, anodized  
Fastening material: Steel; zinc-plated

Scope of delivery: Incl. fastening material (FS)

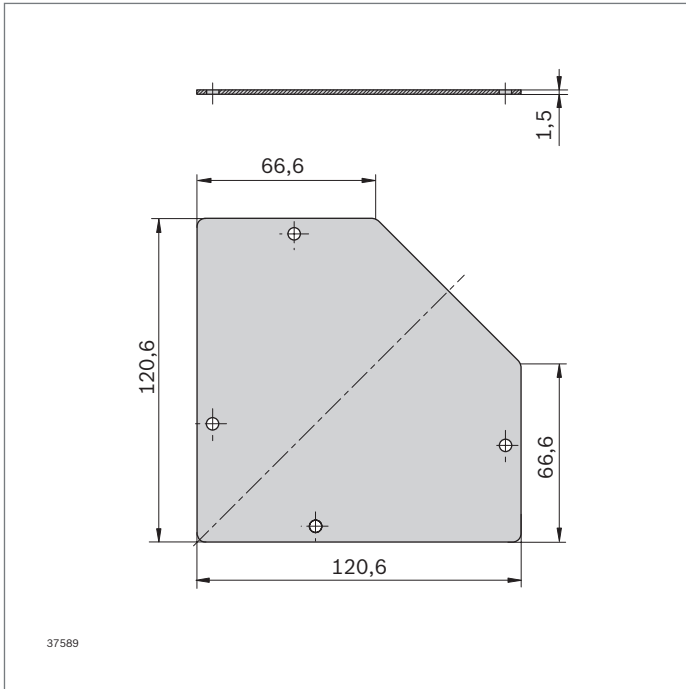


- ▶ For cable routing profile 120x120 6N (3 screw holes can be used for mounting) and 120x120

Cover plate	ESD	No.	FS
120x120	⚡	10 3 842 558 229	4x FS1

Material: Cover plate: Aluminum sheet, anodized  
Fastening material: Steel; zinc-plated

Scope of delivery: Incl. fastening material (FS)



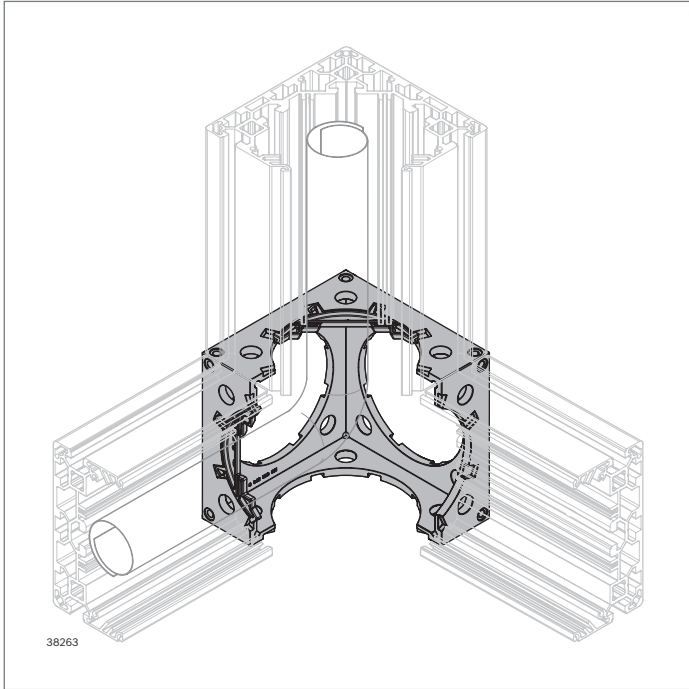
► For cable routing profile 40x120x120

Cover plate	ESD	No.	FS
<b>40x120x120</b>		10 <b>3 842 558 228</b>	4x FS1

Material: Cover plate: Aluminum sheet, anodized

Fastening material: Steel; zinc-plated

Scope of delivery: Incl. fastening material (FS)



### Profile joints 3/4 and 1/2 Positioning pin Edge protector

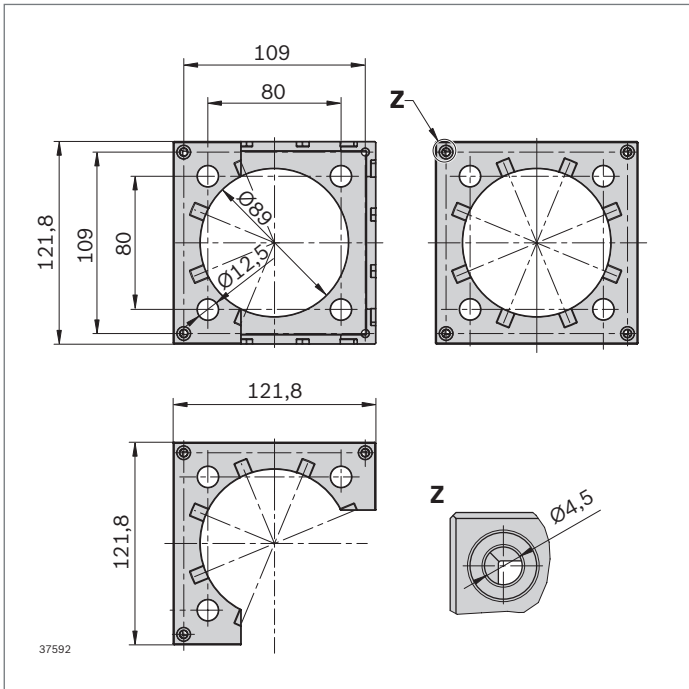
- ▶ For connecting cable routing profiles or standard profiles 40x120 or 40x120 5N
- ▶ High strength and stability
- ▶ Implementation of protected cable branches
- ▶ Screw connection with central bolt M12 (recommended) or S12

Required accessories:

- ▶ Positioning pin to facilitate assembly
- ▶ Central bolt M12x30-T50 (**3 842 530 235**)/ S12x30-T50 (**3 842 530 236**) for fastening the profile joints (see MGE catalog, page 3-41)

Optional accessories:

- ▶ Edge protector to cover sharp edges
- ▶ Cover cap for closing openings



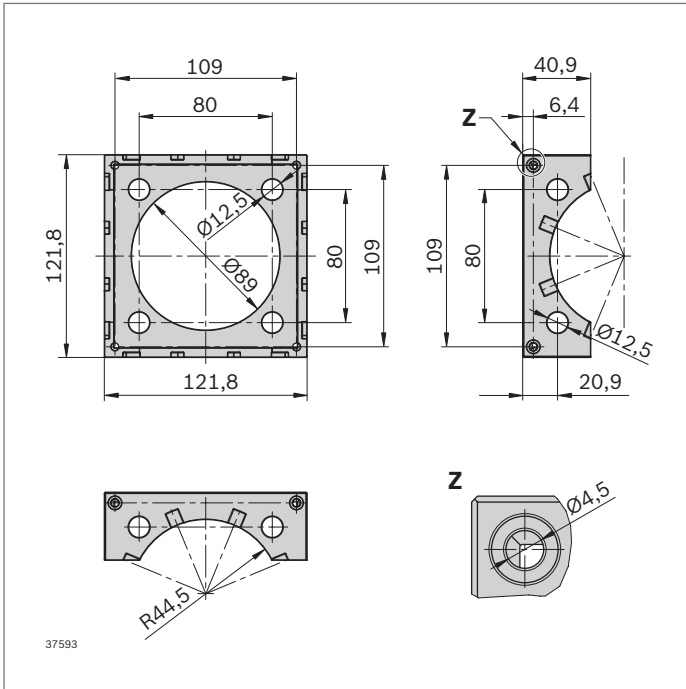
Profile joint 3/4	ESD*) No.
120x120-3/4	1  <b>3 842 558 501</b>

Material: Diecast aluminum; coated, signal gray RAL 7004

\*) ESD: A conductive connection between the profiles is established via the fixing screws. However, the surface of the profile joints is not ESD-conductive.

Optional accessories:

- ▶ Connection bracket for covering sharp edges and for fastening cover caps
- ▶ Cover caps

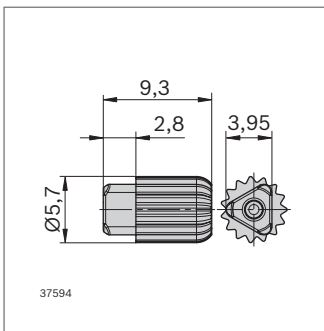


Profile joint 1/2		No.
<b>120x120-1/2</b>	1	<b>3 842 558 246</b>

Material: Diecast aluminum; coated, signal gray RAL 7004

Optional accessories:

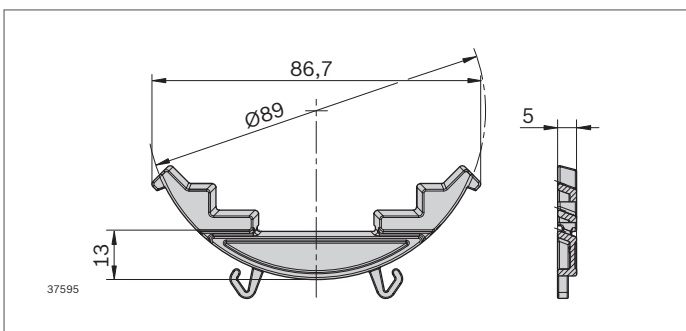
- ▶ Spacer for fixing cover caps
- ▶ Cover caps



- ▶ Positioning aid to facilitate assembly
- ▶ Use for the combinations of profile joint/profile, profile joint/base plate, base plate/profile

Positioning pin		No.
<b>D=5.7</b>	20	<b>3 842 558 487</b>

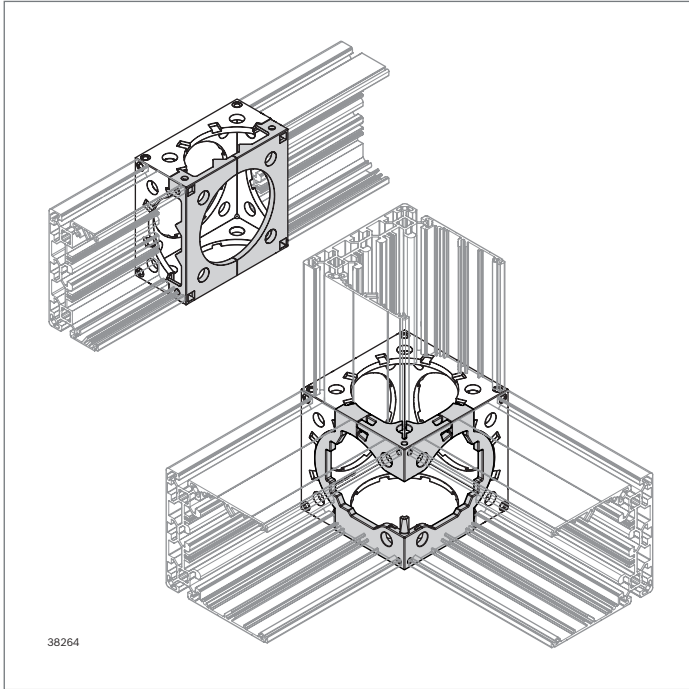
Material: PP; signal gray RAL 7004



- ▶ Optimum protection for cables with sharp-edged transition between profile joint and cable routing profile
- ▶ Can be retrofitted
- ▶ Fastening via snap lock

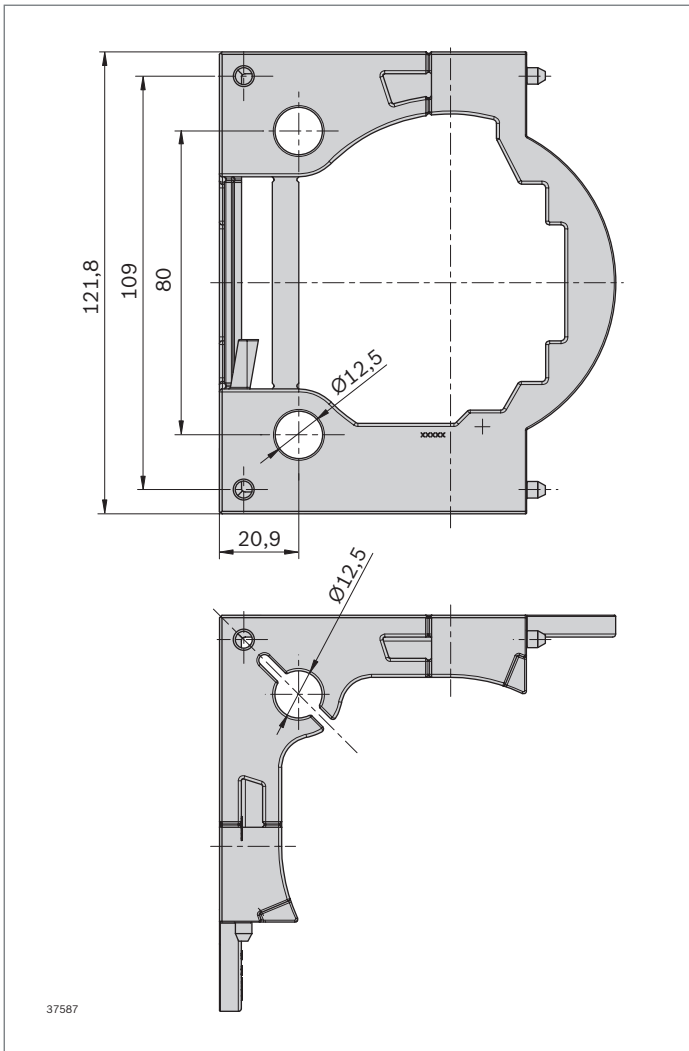
Edge protector	Color	ESD		No.
<b>120x120</b>	Signal gray		10	<b>3 842 558 485</b>
<b>120x120</b>	Black		10	<b>3 842 558 249</b>

Material: PP



### Connection bracket Spacers

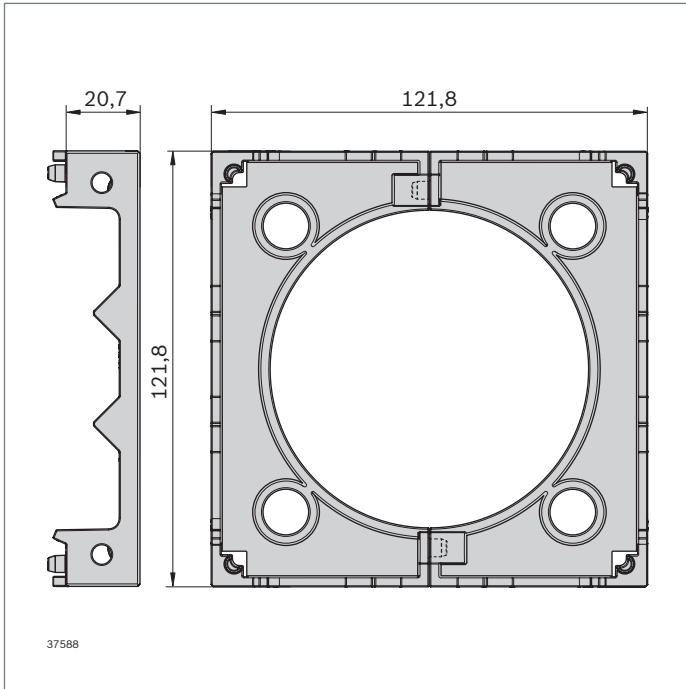
- ▶ Enables the mounting of cover caps on profile joints
- ▶ Edge protector for safe cable routing



### Connection bracket


- ▶ Closes profile joint 3/4 via residual function for safe cable laying
- ▶ Edge protector included

Connection bracket	No.
CGP 120x120	2 3 842 558 473
Material:	PP; signal gray RAL 7004

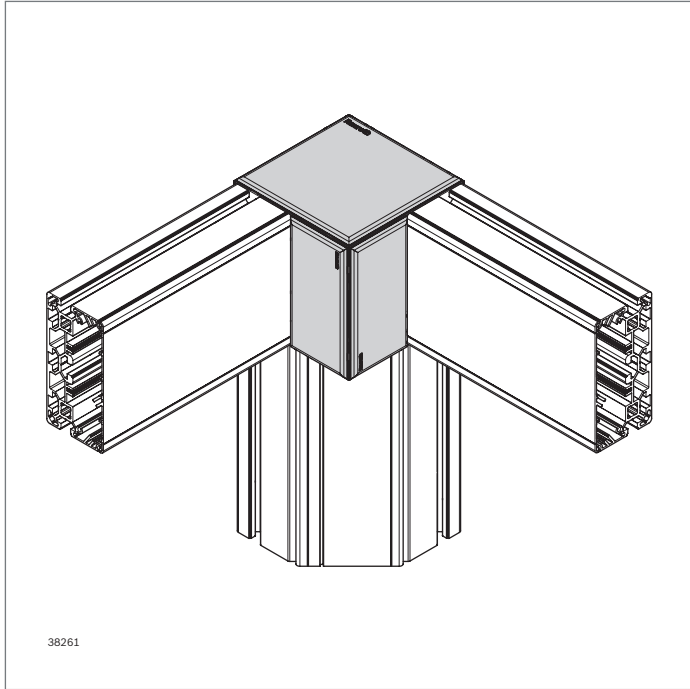


**Spacers**

- ▶ Running cables at a profile joint 1/2
- ▶ 2 parts for easy assembly

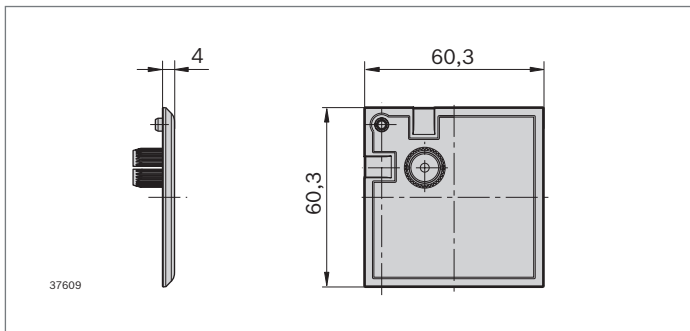
Spacers		No.
<b>20x120</b>	5	<b>3 842 558 502</b>

Material: PP; signal gray RAL 7004



### Cover caps

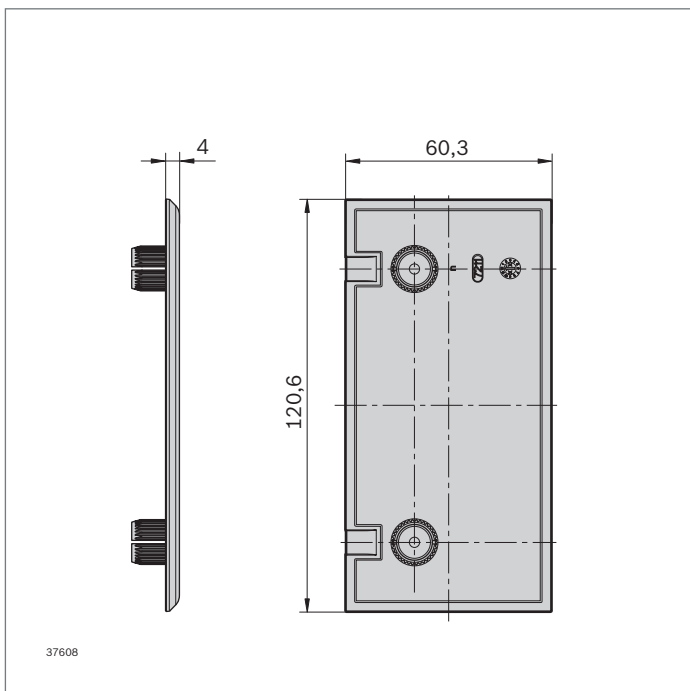
- For closing the profile joints and profile butt joints in various application combinations



- For profile joint 3/4 and cable routing profile 60x120 without connection bracket

Cover cap	Color	ESD	No.
60x60	Signal gray	10	3 842 558 474
60x60	Black	10	3 842 558 494

Material: PP

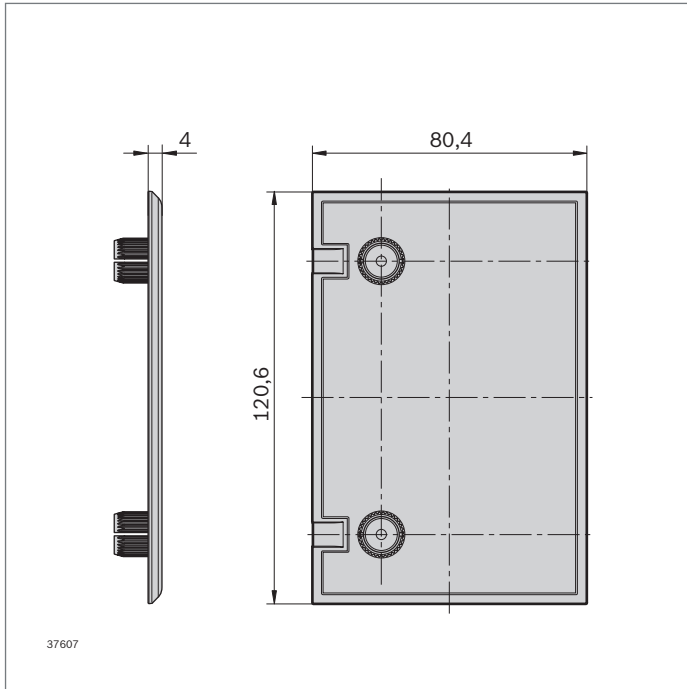


- For profile joint 3/4 or 1/2 in conjunction with cable routing profile 60x120 or base plate 60x120

Cover cap	Color	ESD	No.
60x120	Signal gray	10	3 842 558 475
60x120	Black	10	3 842 558 495

Material: PP

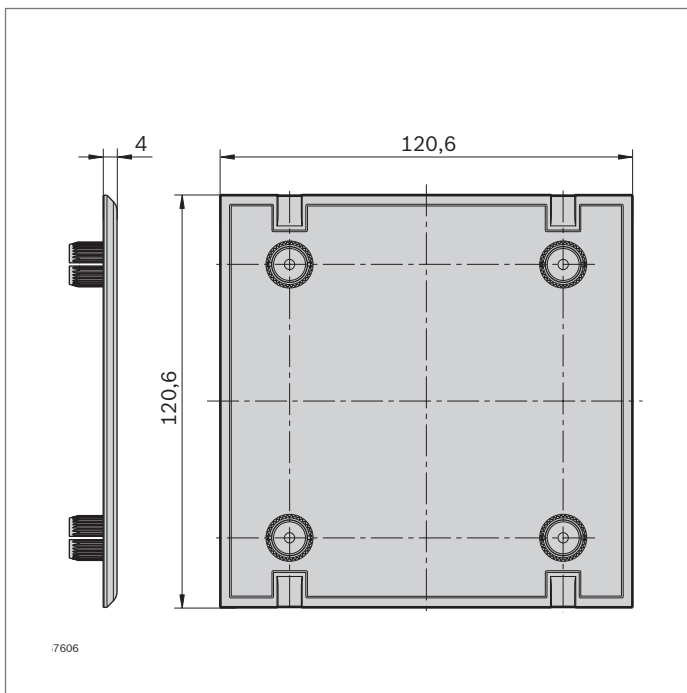




- For profile joint 3/4 or 1/2 in conjunction with strut profile 40x120

Cover cap	Color	ESD	No.
<b>80x120</b>	Signal gray	10	<b>3 842 558 476</b>
<b>80x120</b>	Black	10	<b>3 842 558 496</b>

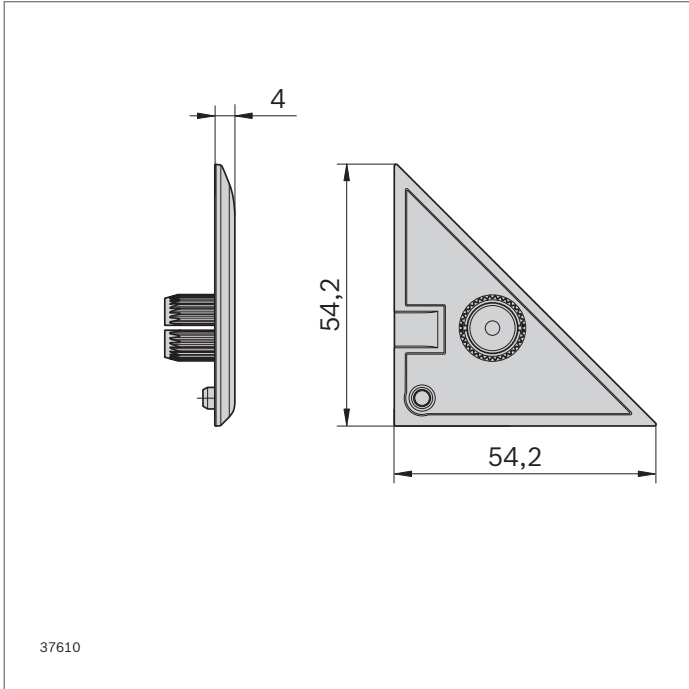
Material: PP



- For profile joints 3/4 and 1/2

Cover cap	Color	ESD	No.
<b>120x120</b>	Signal gray	10	<b>3 842 558 477</b>
<b>120x120</b>	Black	10	<b>3 842 558 497</b>

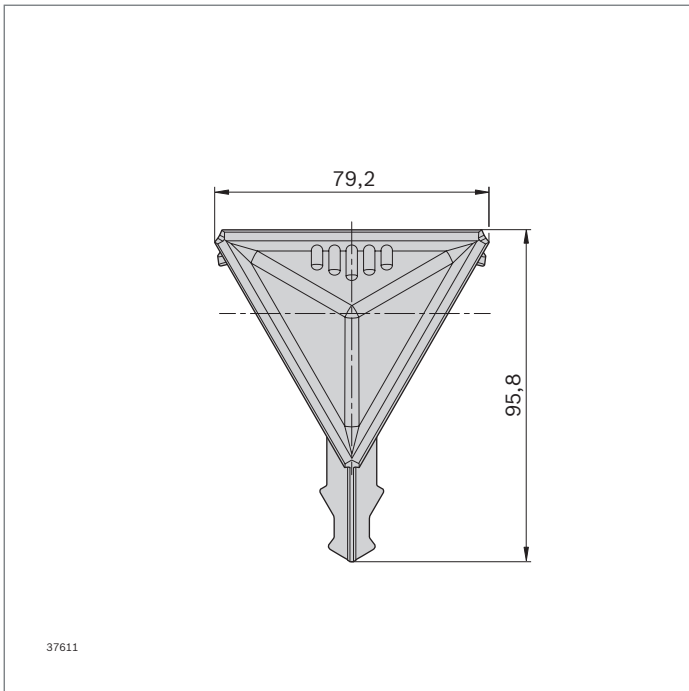
Material: PP



- For connecting corner profile 40x120x120 and profile joint or base plate 40x120x120

Cover cap	Color	ESD	No.
<b>80 Triangle</b>	Signal gray	10	<b>3 842 558 479</b>
<b>80 Triangle</b>	Black	10	<b>3 842 558 499</b>

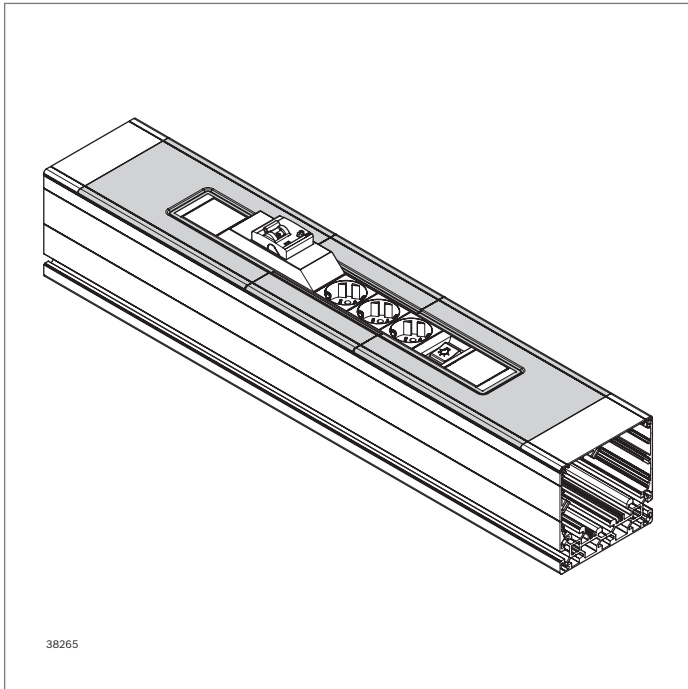
Material: PP



- For butt joints of 3x corner profile 40x120x120

Cover cap	Color	ESD	No.
<b>80x80x80</b>	Signal gray	10	<b>3 842 558 478</b>
<b>80x80x80</b>	Black	10	<b>3 842 558 498</b>

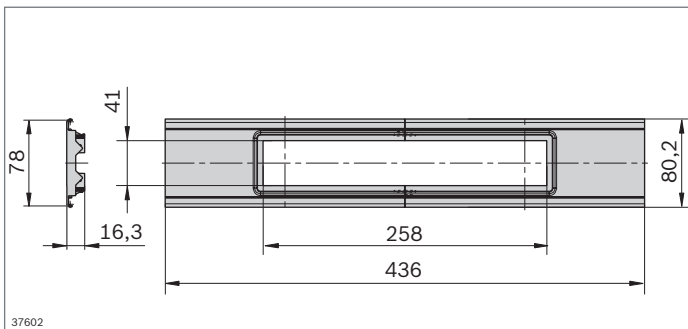
Material: PP



38265

## Cover Cover rail

- ▶ Closes the opening gap of installed socket strips in cable routing profiles
- ▶ For socket strips with 263 mm or 404 mm length (with extension)
- ▶ Compatible with socket strips from the MPS range (see the Manual Production Systems catalog)
- ▶ Socket covers can be extended with the cover rails

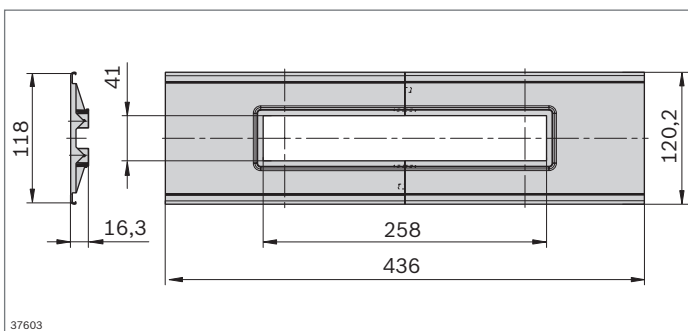


37602

- ▶ For installation in cable routing profiles 40x120x120 and 120x120 6N

Cover	Color	ESD	No.
80	Signal gray	10	3 842 558 507
80	Black	10	3 842 558 506

Material: PP

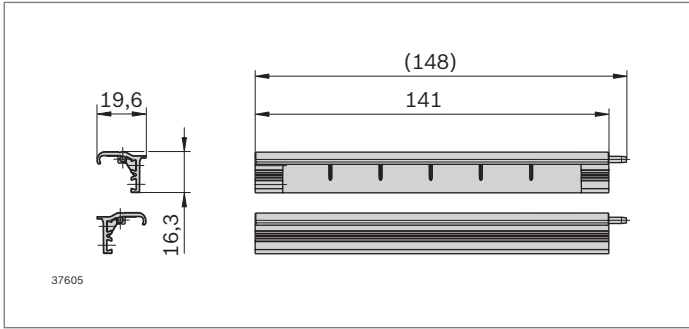


37603

- ▶ For installation in cable routing profiles 60x120 and 120x120

Cover	Color	ESD	No.
120	Signal gray	10	3 842 558 509
120	Black	10	3 842 558 508

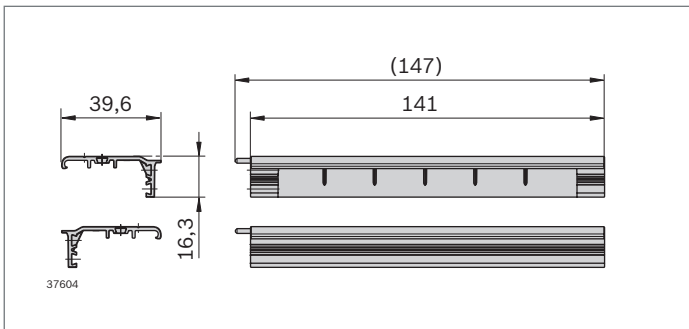
Material: PP



- ▶ For installation in cable routing profiles 40x120x120 and 120x120 6N
- ▶ Cover rail consists of 2 half shells

Cover rail	Color	ESD		No.
80	Signal gray		10	<b>3 842 558 511</b>
80	Black		10	<b>3 842 558 510</b>

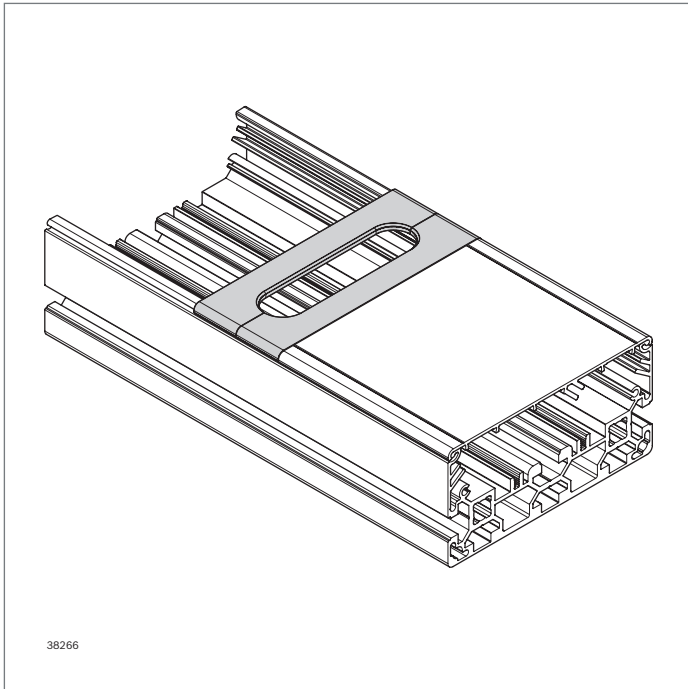
Material: PP



- ▶ For installation in cable routing profiles 60x120 and 120x120
- ▶ Cover rail consists of 2 half shells

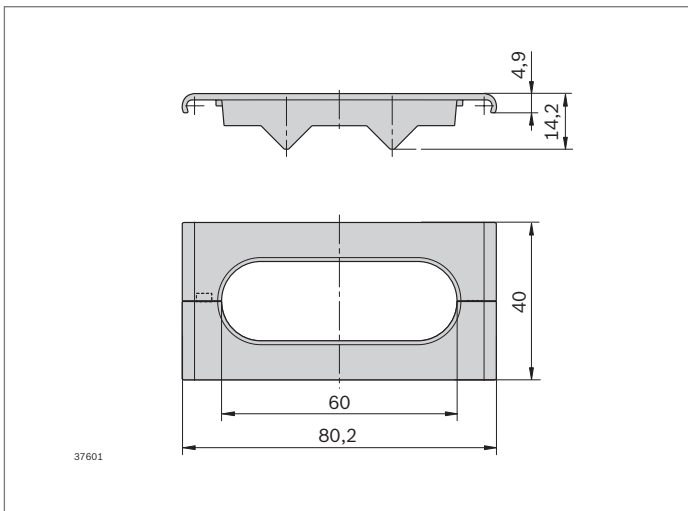
Cover rail	Color	ESD		No.
120	Signal gray		10	<b>3 842 558 513</b>
120	Black		10	<b>3 842 558 512</b>

Material: PP



## Cable hole

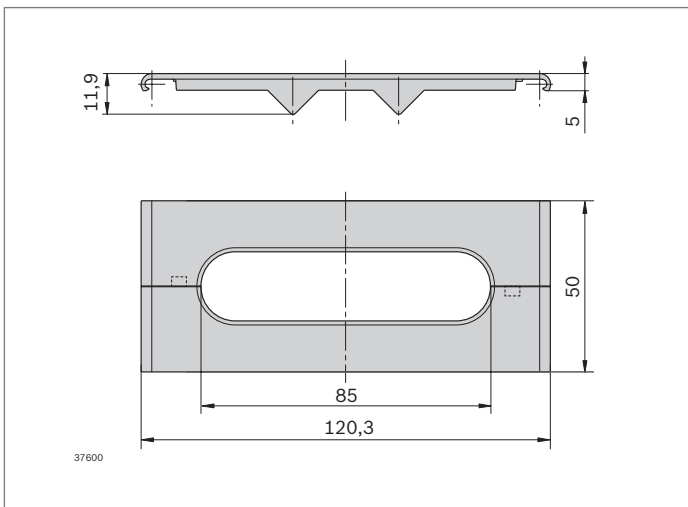
- For passing cables through the cover of a cable routing profile



- For installation in cable routing profiles 40x120x120 and 120x120 6N

Cable hole	Color	ESD	No.
80	Signal gray	10	3 842 558 212
80	Black	10	3 842 558 503

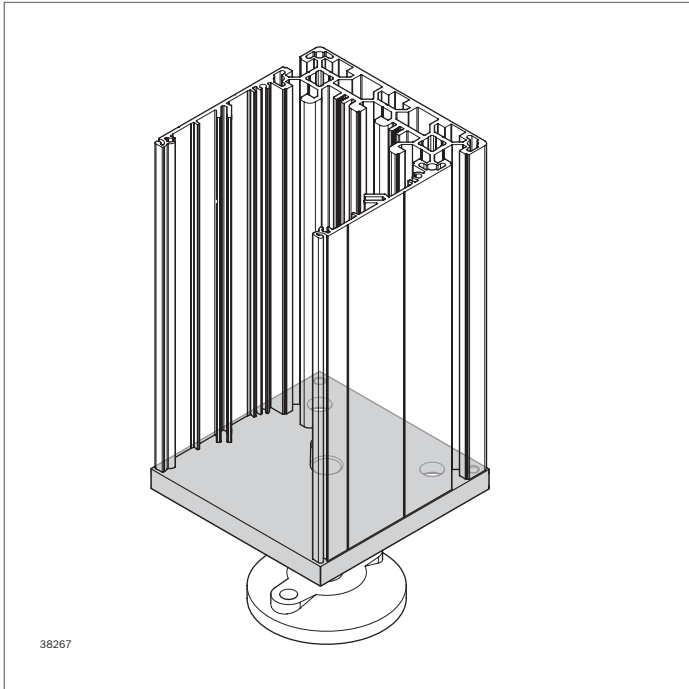
Material: PP



- For installation in cable routing profiles 60x120 and 120x120

Cable hole	Color	ESD	No.
120	Signal gray	10	3 842 558 505
120	Black	10	3 842 558 250

Material: PP

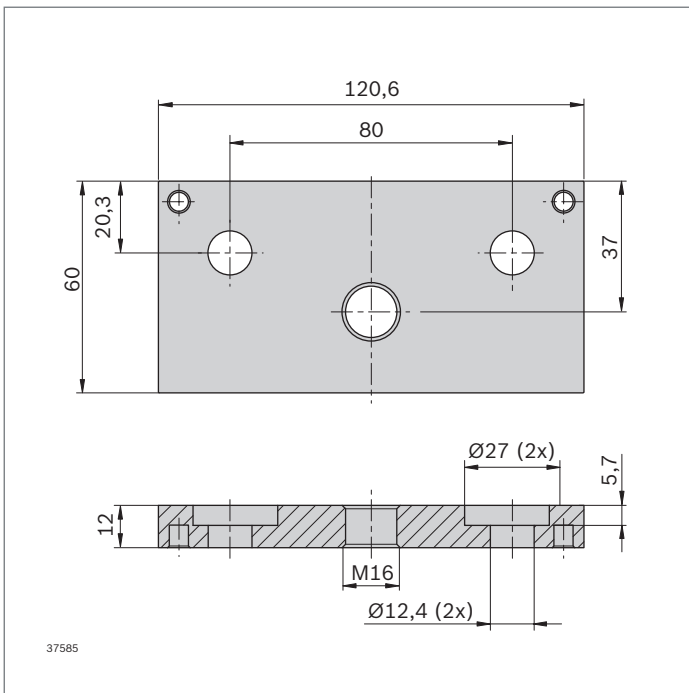



## Base plate

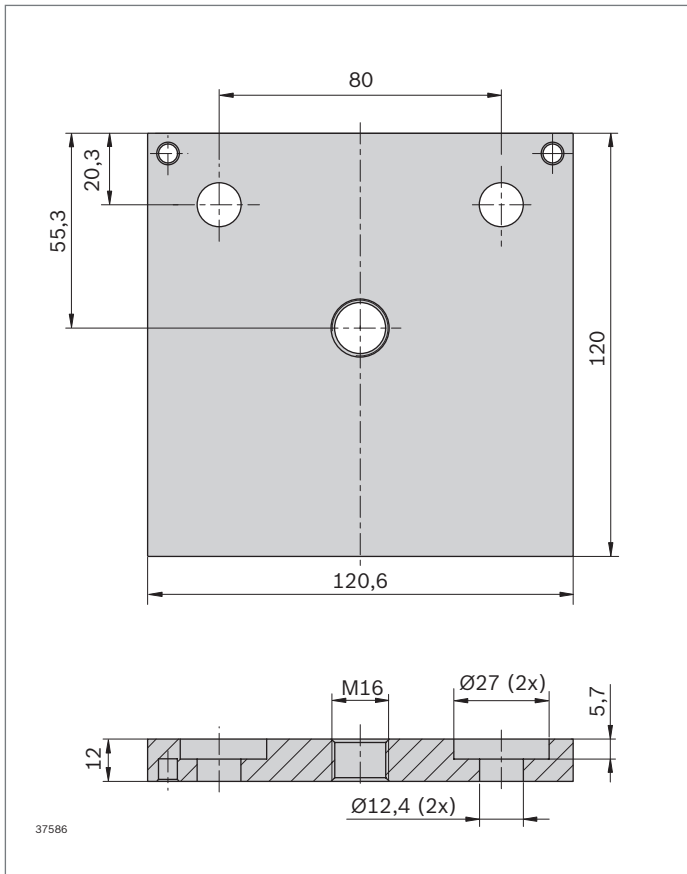
- ▶ Screw-on plate for supports or castor wheels
- ▶ Suitable for mounting on profile joints or cable routing profile

Required accessories:

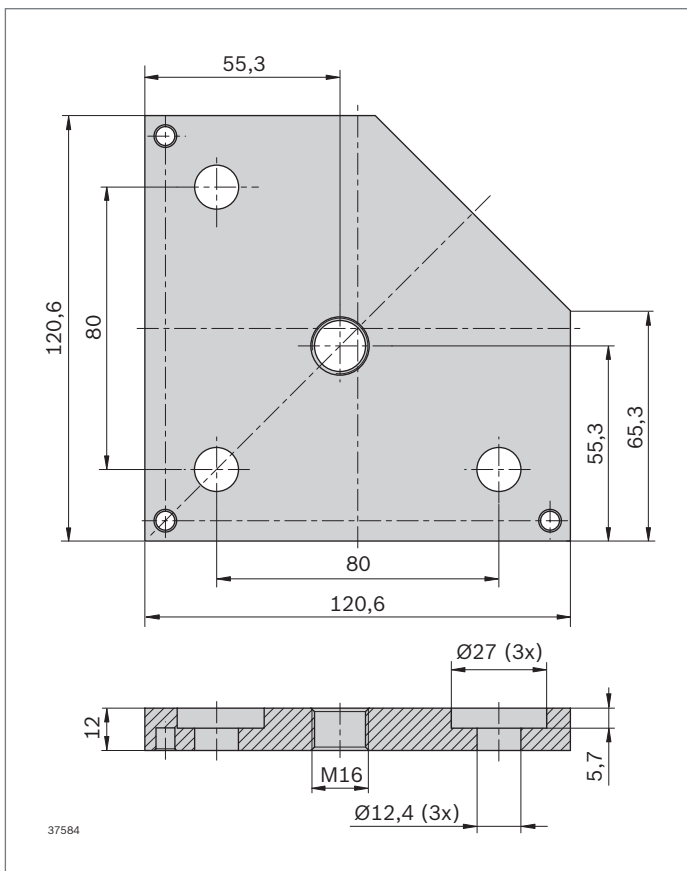
- ▶ Central bolt M12x30 or S12x30 (for fastening in the central hole)
- ▶ Central bolt M12x30, hexagonal nut ISO 4035 M12 (for fastening at profile joint)
- ▶ Positioning pin (**3 842 558 487**, p. 21) to facilitate installation




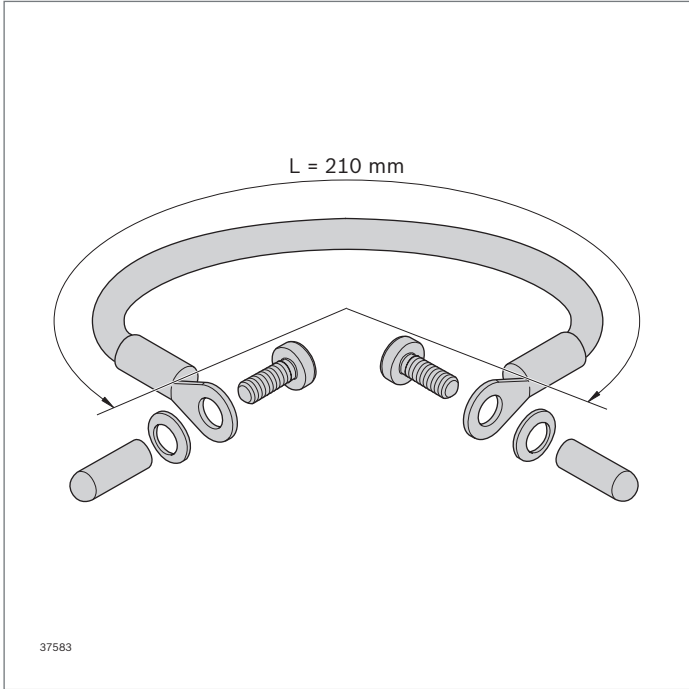
Base plate	ESD No.
60x120	 3 842 558 218
Material:	Steel; zinc-plated



Base plate	ESD No.
<b>120x120</b>	 <b>3 842 558 220</b>
Material:	Steel; zinc-plated



Base plate	ESD No.
<b>40x120x120</b>	 <b>3 842 558 226</b>
Material:	Steel; zinc-plated



### Potential equalizer line

- For proper grounding of the cable routing profiles

Potential equalizer line	No.
	<b>3 842 552 234</b>

Material: Cable: plastic-coated  
Fastening material: Steel; zinc-plated



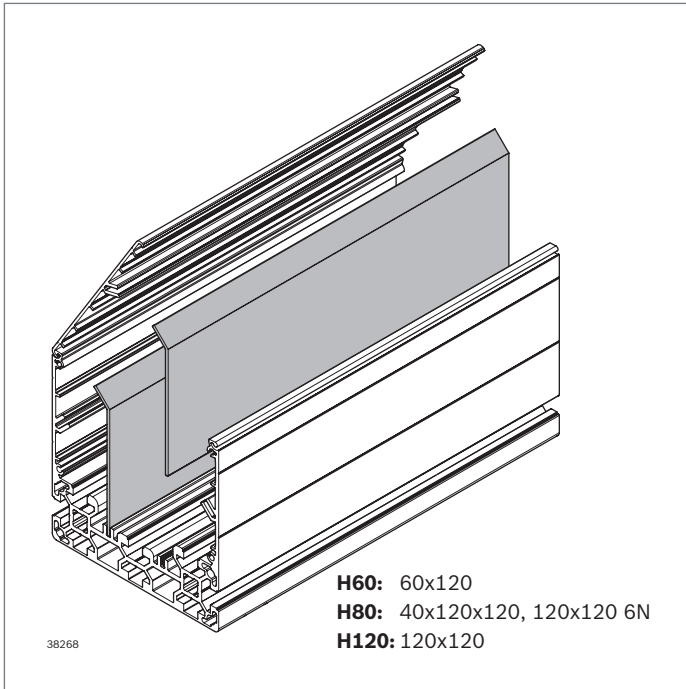
### Protective hose

- Cable protection conduit with Velcro fastener
- Bundle diameter up to max. 38 mm

Protective hose	L (mm)	No.
	3000	<b>3 842 558 248</b>

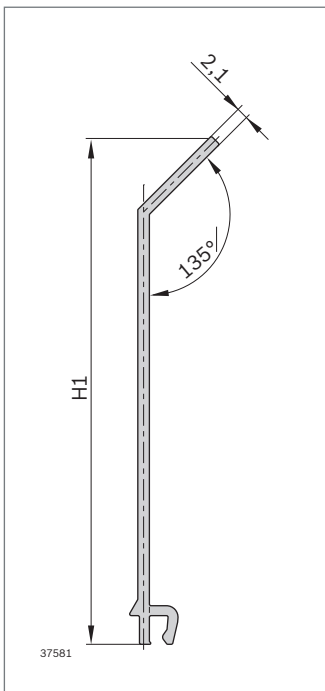
Material: PET; black






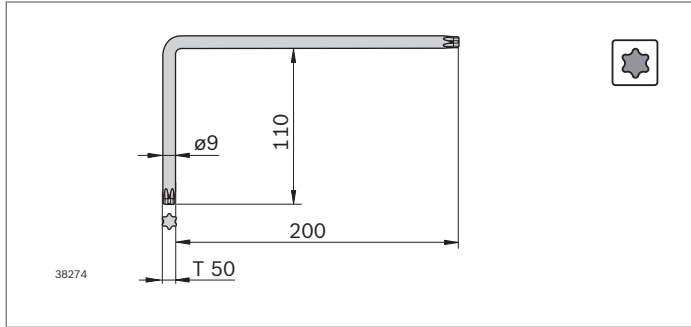
## Dividing strip

- ▶ Divides the cable routing profile into 2 or 3 chambers for routing different cable types (power/data cables etc.)
- ▶ Push-in installation
- ▶ Slanting at the dividing strip ends keeps the cables in the intended chamber even in horizontal installation position



Dividing strip	H1 (mm)	L (mm)	 No.
<b>H60</b>	30	3000	10 <b>3 842 558 245</b>
<b>H80</b>	68	3000	10 <b>3 842 558 222</b>
<b>H120</b>	90	3000	10 <b>3 842 558 244</b>

Material: PVC; signal gray



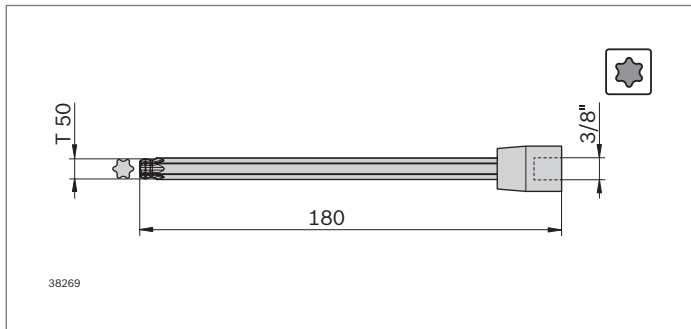
## Tools

### Torx offset screwdriver

- ▶ Hexagonal socket on both sides for variable use
- ▶ Long bracket for profile joint mounting
- ▶ Short bracket for easy access in the profile joint

Offset screwdriver T50/T50 L200	No.
	5 3 842 558 181

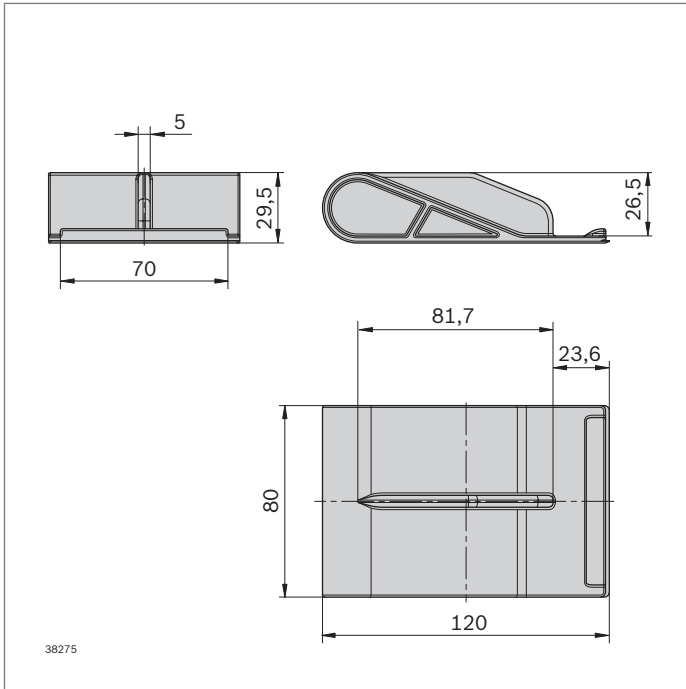
Material: Nickel-plated steel



### Wrench socket

- ▶ For mechanical or manual assembly/torque
- ▶ Length adapted to profile joint mounting
- ▶ Drive 3/8" wrench socket, output T50
- ▶ Stable ball head for screws without axial access

Wrench socket T50x180, 3/8"	No.
	1 3 842 558 194

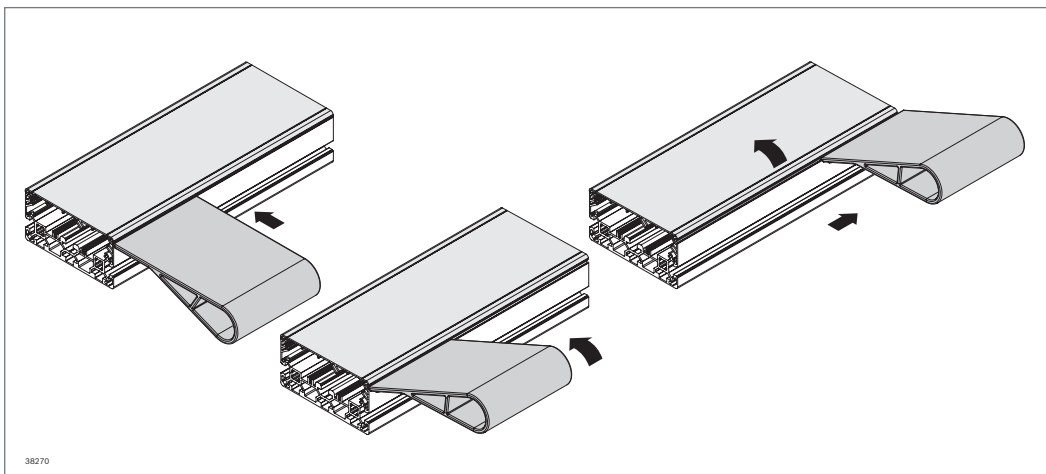


**Disassembly tool**

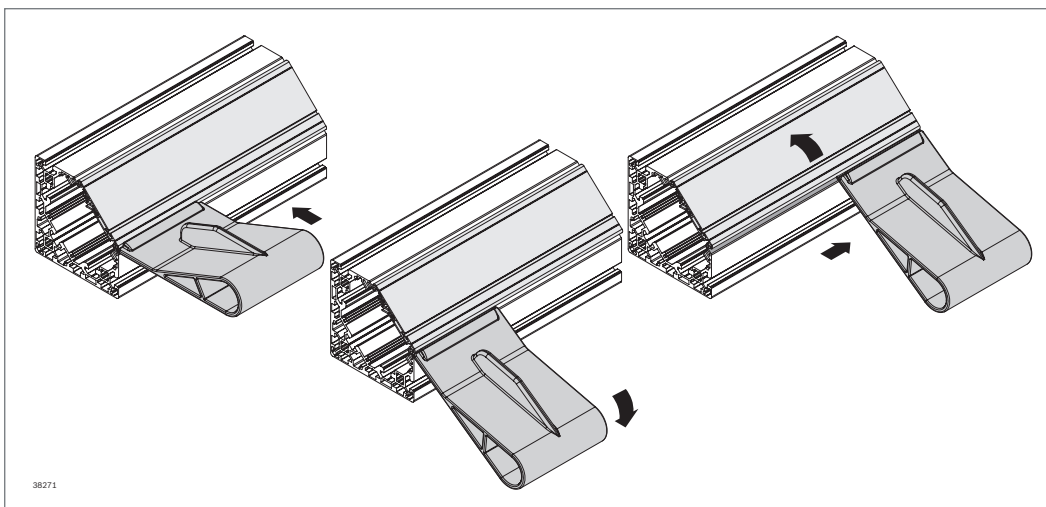
- ▶ Hand tool for gentle opening of the cable guide profiles

Disassembly tool	No.
1	3 842 558 196

**Functioning**



Cable routing profiles  
60x120, 120x120 and  
120x120 6N

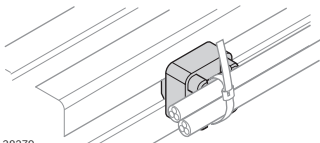
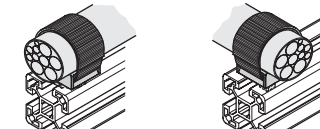
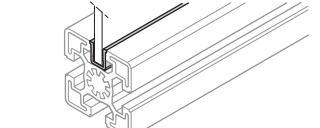
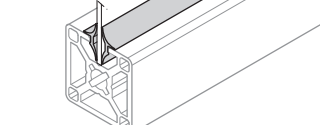
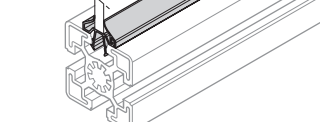
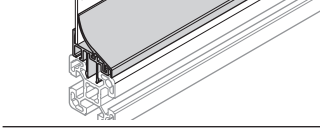
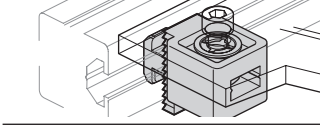
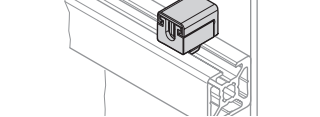


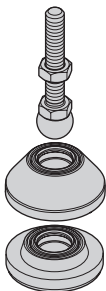
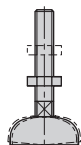
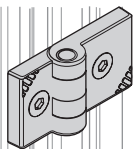
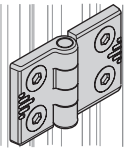
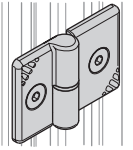
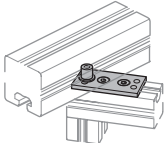
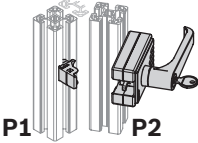
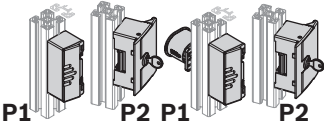
Cable routing profile  
40x120x120

## Compatible parts

The function-integrated profiles are compatible with the products of the Basic Mechanic Elements and the manual production systems via the 10 mm groove and the design for the 40 mm profile grid.

Below you will find a small selection of accessories that are particularly suitable. In addition, you will find a wide range of products in the above-mentioned special catalogs to meet your requirements.

Product	No.	Catalog, page
 38279	Cable bracket for cable ties <b>3 842 555 180</b>	MGE 14.0, page 11-10
	Cable bracket loop with Velcro strap <b>3 842 559 382</b>	MGE online catalog
	Mounting rim profile 2 ... 6 mm panel element <b>3 842 555 276</b>	MGE 14.0, page 7-2
	Mounting rim profile 6 mm panel element <b>3 842 555 270</b>	
	Mounting rim profile, clean <b>3 842 555 282</b>	MGE 14.0, page 7-3
	Protective pane profile PVC, base profile <b>3 842 555 284</b>	MGE 14.0, page 7-4
	Protective pane profile PVC, clip-on strip <b>3 842 555 286</b>	
	Protective pane profile, base profile <b>3 842 529 761</b>	MGE 14.0, page 7-5
	Protective pane profile, clip-on strip <b>3 842 555 292</b>	
	Variofix block <b>3 842 548 834</b>	MGE 14.0, page 7-6
	Snap-in clip <b>3 842 184 738</b>	
	Variofix block S <b>3 842 548 840</b>	MGE 14.0, page 7-7

Product	No.	Catalog, page	
<b>Modular leveling feet</b>			
	Spindle M16, L85	<b>3 842 537 227</b>	MGE 14.0, page 6-2
	Spindle M16, L145	<b>3 842 537 229</b>	
	Spindle M16, L200	<b>3 842 537 231</b>	
	Base plate D44, diecast zinc; black	<b>3 842 538 676</b>	MGE 14.0, page 6-3
	Base plate D59, diecast zinc; black	<b>3 842 538 677</b>	
	Base plate D79, diecast zinc; black	<b>3 842 538 678</b>	
38365			
	Leveling foot D44, L85, M16	<b>3 842 311 956</b>	MGE 14.0, page 6-5
	Leveling foot D90, L85, M16	<b>3 842 311 950</b>	
	Leveling foot D90, L145, M16	<b>3 842 311 951</b>	
38366			
	Hinge, plastic 40/50	<b>3 842 554 466</b>	MGE 14.0, page 8-5
	Hinge, plastic 30/40/50	<b>3 842 554 460</b>	
38367			
	Hinge, aluminum 40/40	<b>3 842 544 530</b>	MGE 14.0, page 8-6
	Hinge, aluminum 30/40	<b>3 842 544 528</b>	
38368			
	Hinge LIFTOFF 30/40 right	<b>3 842 543 331</b>	MGE 14.0, page 8-7
	Hinge LIFTOFF 40x40 right	<b>3 842 543 329</b>	
	Hinge LIFTOFF 30/40 left	<b>3 842 543 324</b>	
	Hinge LIFTOFF 40/40 left	<b>3 842 543 322</b>	
38369			
	Folding door element	<b>3 842 516 715</b>	MGE 14.0, page 8-10
38370			
	Door lock "multi-use" for swing and sliding doors, standard closing	<b>3 842 548 971</b>	MGE 14.0, page 8-15
	Door lock "multi-use" for swing and sliding doors, uniform locking	<b>3 842 548 970</b>	
38371			
	Door lock "compact" for swing doors, standard locking	<b>3 842 553 640</b>	MGE 14.0, page 8-17
	Door lock "compact" for swing doors, uniform locking	<b>3 842 553 639</b>	
38372			

Product	No.	Catalog, page	
	Bow-type handle 26x133x50	<b>3 842 554 718</b>	MGE 14.0, page 8-23
	Bow-type handle 26x133x50, ESD	<b>3 842 525 481</b>	
	Bow-type handle 26x195x58	<b>3 842 554 720</b>	
	Bow-type handle 26x195x58, ESD	<b>3 842 525 767</b>	
	Socket strip, D	<b>3 842 539 842</b>	MPS 7.0, page 46
	Socket strip, F	<b>3 842 539 852</b>	
	Socket strip, GB	<b>3 842 539 862</b>	
	Socket strip, USA/CAN	<b>3 842 539 880</b>	
	Socket strip, switchable output, D	<b>3 842 539 844</b>	
	Socket strip, switchable output, F	<b>3 842 539 854</b>	
	Socket strip, switchable output, GB	<b>3 842 539 864</b>	
	Socket strip, switchable output, CH	<b>3 842 539 872</b>	
	Socket strip, switchable output, USA/CAN	<b>3 842 539 882</b>	
	Socket strip, switchable input, D	<b>3 842 539 846</b>	
	Socket strip, switchable input, F	<b>3 842 539 856</b>	
	Socket strip, switchable input, GB	<b>3 842 539 866</b>	
	Socket strip, switchable output, RCD, D	<b>3 842 542 060</b>	
	Socket strip, switchable output, RCD, F	<b>3 842 539 858</b>	
	Cable duct aluminum, 40x40	<b>3 842 552 268</b>	MGE 14.0, page 11-4
	Cable duct aluminum, 40x80	<b>3 842 552 270</b>	
	Cable duct aluminum, 80x40	<b>3 842 552 273</b>	
	Cable duct aluminum, 80x80	<b>3 842 552 275</b>	

# Material number overview

3 842 184 738	36	3 842 544 528	37	3 842 558 212	29	3 842 558 499	26
3 842 311 950	37	3 842 544 530	37	3 842 558 218	30	3 842 558 501	20
3 842 311 951	37	3 842 548 746	16	3 842 558 220	31	3 842 558 502	23
3 842 311 956	37	3 842 548 747	16	3 842 558 222	33	3 842 558 503	29
3 842 516 715	37	3 842 548 748	16	3 842 558 226	31	3 842 558 505	29
3 842 525 481	38	3 842 548 749	16	3 842 558 228	19	3 842 558 506	27
3 842 525 767	38	3 842 548 834	36	3 842 558 229	18	3 842 558 507	27
3 842 529 761	36	3 842 548 840	36	3 842 558 233	18	3 842 558 508	27
3 842 537 227	37	3 842 548 970	37	3 842 558 241	15	3 842 558 509	27
3 842 537 229	37	3 842 548 971	37	3 842 558 242	14	3 842 558 510	28
3 842 537 231	37	3 842 552 234	32	3 842 558 243	16	3 842 558 511	28
3 842 538 676	37	3 842 552 268	38	3 842 558 244	33	3 842 558 512	28
3 842 538 677	37	3 842 552 270	38	3 842 558 245	33	3 842 558 513	28
3 842 538 678	37	3 842 552 273	38	3 842 558 246	21	3 842 559 382	36
3 842 539 842	38	3 842 552 275	38	3 842 558 248	32	3 842 993 771	16
3 842 539 844	38	3 842 553 639	37	3 842 558 249	21	3 842 994 039	15
3 842 539 846	38	3 842 553 640	37	3 842 558 250	29	3 842 994 054	15
3 842 539 852	38	3 842 554 460	37	3 842 558 473	22	3 842 994 059	15
3 842 539 854	38	3 842 554 466	37	3 842 558 474	24	3 842 996 360	15
3 842 539 856	38	3 842 554 718	38	3 842 558 475	24	3 842 996 361	14
3 842 539 858	38	3 842 554 720	38	3 842 558 476	25	3 842 996 362	16
3 842 539 862	38	3 842 555 180	36	3 842 558 477	25	3 842 996 363	16
3 842 539 864	38	3 842 555 270	36	3 842 558 478	26	3 842 996 364	14
3 842 539 866	38	3 842 555 276	36	3 842 558 479	26	3 842 996 365	14
3 842 539 872	38	3 842 555 282	36	3 842 558 480	16	3 842 996 366	15
3 842 539 880	38	3 842 555 284	36	3 842 558 485	21	3 842 996 367	15
3 842 539 882	38	3 842 555 286	36	3 842 558 487	21	3 842 996 368	16
3 842 542 060	38	3 842 555 292	36	3 842 558 494	24	3 842 996 369	16
3 842 543 322	37	3 842 558 181	34	3 842 558 495	24		
3 842 543 324	37	3 842 558 190	15	3 842 558 496	25		
3 842 543 329	37	3 842 558 194	34	3 842 558 497	25		
3 842 543 331	37	3 842 558 196	35	3 842 558 498	26		

## Index

► <b>A</b>		► <b>E</b>		► <b>W</b>	
Advantages of the profile system	4	Edge protector	20	Wrench socket	34
► <b>B</b>		► <b>L</b>			
Base plate	30	Load-bearing capacity	12		
► <b>C</b>		► <b>P</b>			
Cable guide profiles	14	Positioning pin	20		
Cable hole	29	Potential equalizer line	32		
Compatible parts	36	Profile joints 3/4 and 1/2	20		
Component overview	6	Profiles and joints	8		
Connection bracket	22	Protective hose	32		
Cover	27	► <b>S</b>			
Cover caps	24	Spacers	22		
Cover plate	18	Stability	12		
Cover rail	27	System compatibility	10		
► <b>D</b>		► <b>T</b>			
Disassembly tool	35	Torx offset screwdriver	34		
Dividing strip	33				

**Bosch Rexroth AG**

Postfach 30 02 07  
70442 Stuttgart, Germany  
[www.boschrexroth.com](http://www.boschrexroth.com)

**Further information online:**



**Find your local contact person here:**  
<https://addresses.boschrexroth.com>



**Rexroth media directory**  
Commercial media and technical documentation is  
available for download 24/7 at:  
[www.boschrexroth.com/mediadirectory](http://www.boschrexroth.com/mediadirectory)



The data specified above only serves to describe the product. No statements concerning a certain condition or suitability for a certain application can be derived from our information. The information given does not exempt the user from the obligation of own judgment and verification. It must be remembered that our products are subject to a natural process of wear and aging.

R999001518 (2020-03)  
© Bosch Rexroth AG 2020  
Subject to changes!