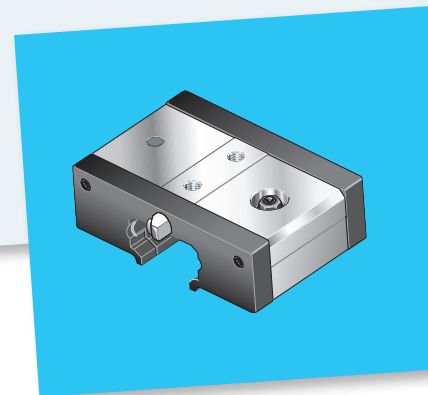
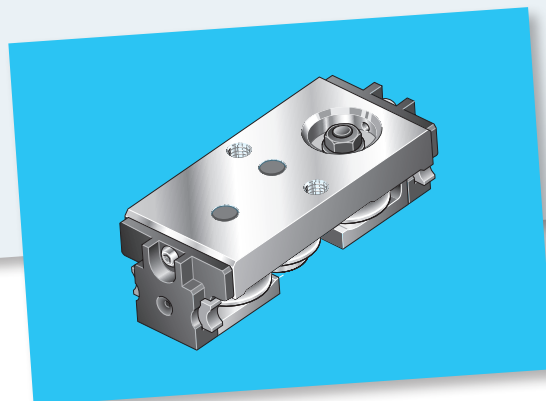
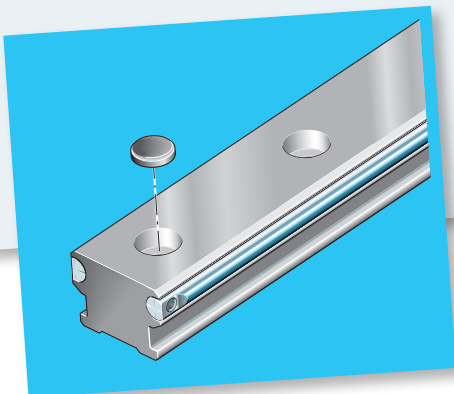
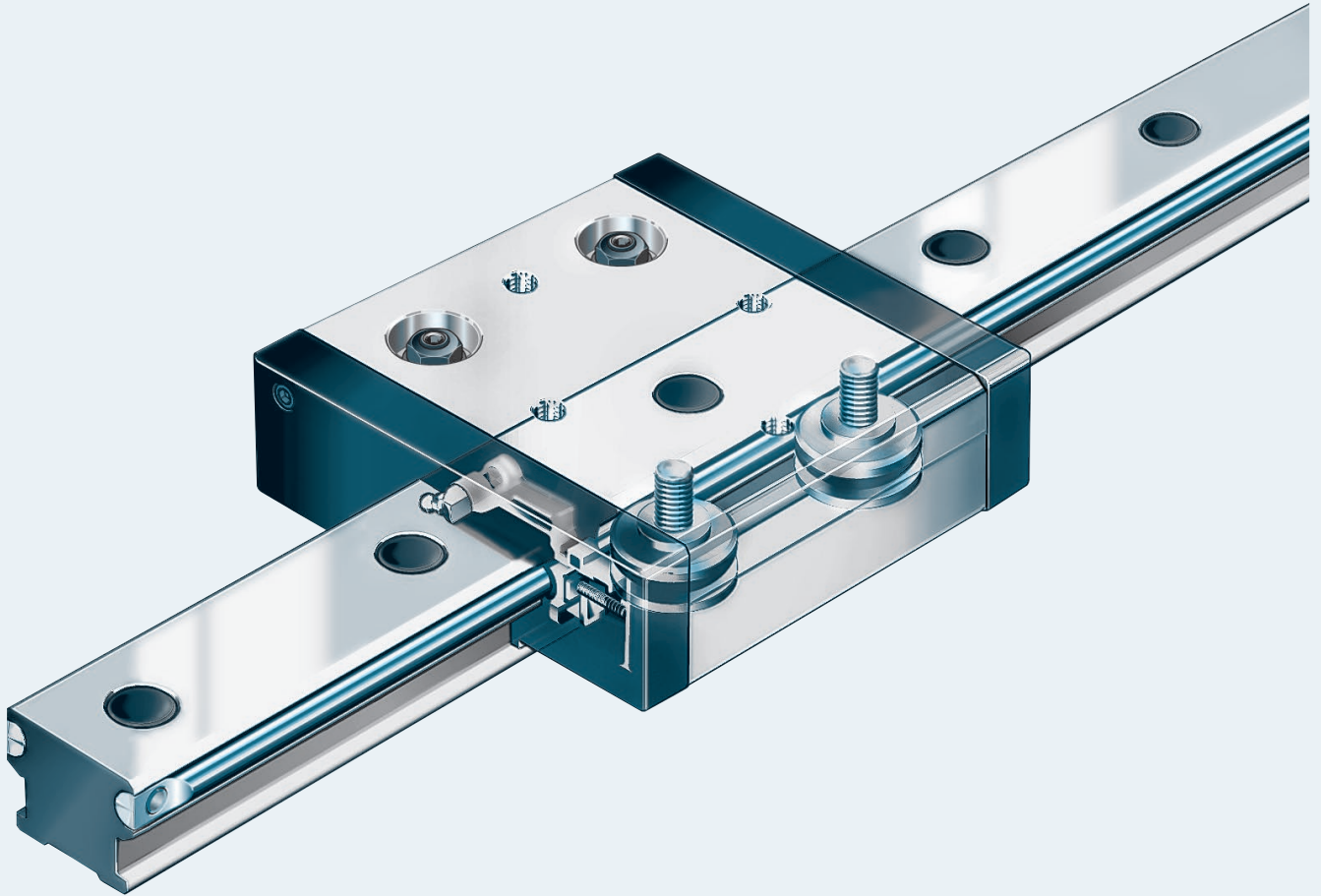


Cam roller guides



Cam roller guides

Product overview	4
Combination options	6
Maximum permissible loads	10
Technical data	14
Life expectancy and static load safety factor	17
Mounting instructions	19
Lubrication	23
Standard runner blocks	24
Super runner blocks	26
Guide rails	30
Single/double bearing runner blocks with adjustment screws	36
Guide rails	40
U-type runner blocks	46
U-type guide rails	48
Lubrication unit for profile runner blocks	51
Cam rollers with spigots, assembly kits	52

Product overview

Rexroth cam roller guides have been specially developed for use in handling and automation applications.

Features:

- High permissible speeds
- Compact design
- Light weight
- Easy mounting
- Low friction and extremely low-noise operation
- Complete guideway systems
- Interchangeability
- Elements can be individually ordered and separately stocked

Runner blocks

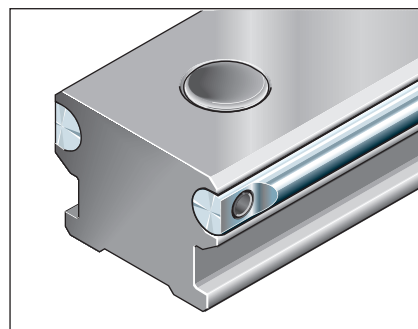
- High load capacity in all planes of load application. High moment capacity about all axes
- Oil applicator/wiper unit with large oil reservoir at both ends
- Lube nipple port at either end
- The runner block can be simply adjusted to zero clearance by means of eccentric pins
- 2-row angular contact thrust ball bearing, sealed and lubricated for life

Profile runner block

- The runner block is adjusted to zero clearance before leaving the factory
- Wiper and lubrication units are available as accessories

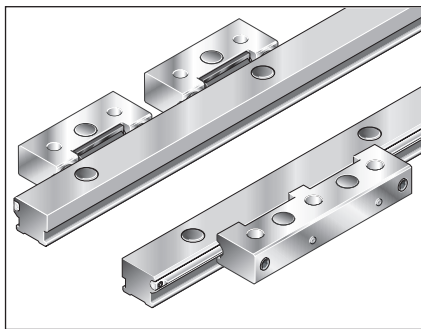
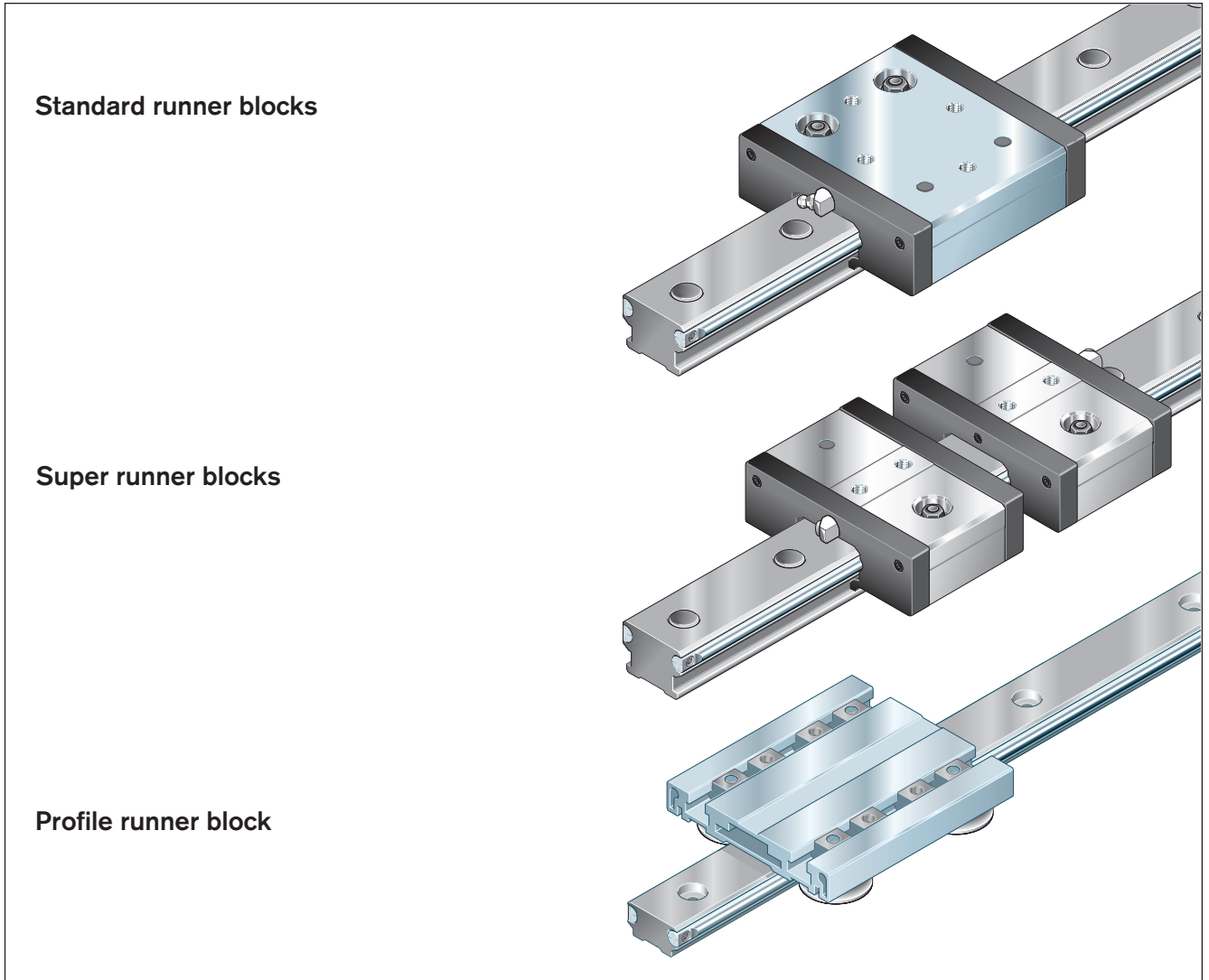
Standard guide rail

- Guide shaft support made of anodized aluminum
- Optional mounting hole plugs
- Secured guide tracks made of corrosion-resistant precision steel shafts

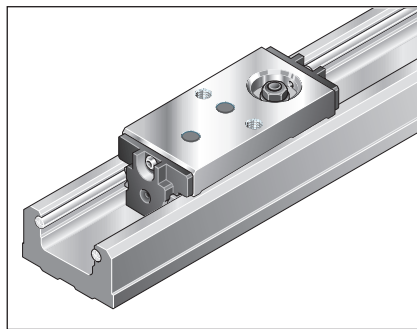


Standard guide rail

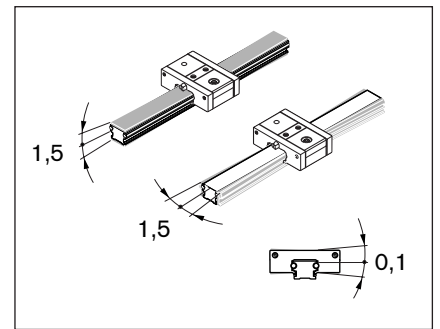
Secured guide tracks made of corrosion-resistant precision steel shafts



Single bearing runner blocks, double bearing runner blocks
On two half-rails



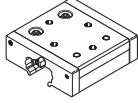
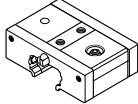
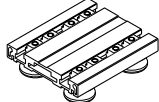
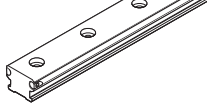

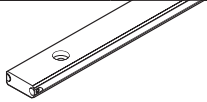
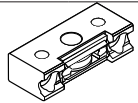
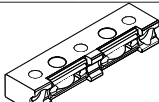
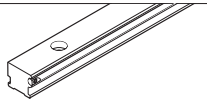
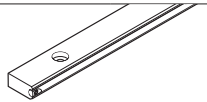
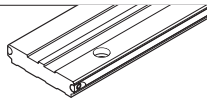
U-type cam roller guides



Super runner blocks
For uneven mounting surfaces or other alignment errors:

Product overview

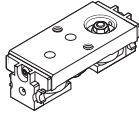
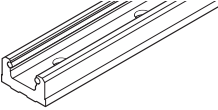
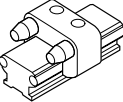
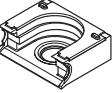
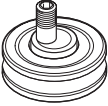
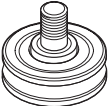
Combination options

			20
		Page	Part number / Size - Version
Standard runner block			1902-119-00
Super runner block			1906-119-00
Profile runner block			
Guide rails	 Standard		1921-119-31
	 With T-Slot		
	 Low-profile		
Single bearing runner block			
Double bearing runner block			
Guide rails for single double bearing runner blocks	 Standard half-rail		
	 Low-profile half-rail		
	 Wide		

Size							
25	32		42	52			
1902-125-00	1902-132-00			1902-152-00	1902-252-00 52-h (high loads)	1902-352-00 52-sh (extreme loads)	
1906-125-00							
			1907-142-00				
1921-125-31	1921-132-31	1921-232-31 32-2 (twice as many mounting holes)	1921-142-31	1921-152-31	1921-252-31 52-2 (twice as many mounting holes)	1921-452-31 52-4 (four times as many mounting holes)	
1922-025-31	1922-032-31						
	1924-132-31	1924-323-31 32-2 (twice as many mounting holes)		1924-152-31	1924-252-31 52-2 (twice as many mounting holes)	1924-452-31 52-4 (four times as many mounting holes)	
	1903-132-10			1903-152-10	1903-252-10 52-h (high load)	1903-352-10 52-sh (extreme loads)	
	1904-132-10			1904-152-31	1904-252-10 52-h (high load)	1904-352-10 52-sh (extreme loads)	
	1925-132-31	1925-232-31 32-2 (twice as many mounting holes)		1925-152-31	1925-252-31 52-2 (twice as many mounting holes)	1925-452-31 52-4 (four times as many mounting holes)	
	1926-132-31	1926-232-31 32-2 (twice as many mounting holes)		1926-152-31	1926-252-31 52-2 (twice as many mounting holes)	1926-252-31 52-4 (four times as many mounting holes)	
					1927-152-31		

Product overview

Combination options

		20
		Page
		Part number / Size - Version
U-type runner block		1905-119-00
U-type guide rail	 U-type	1923-119-31
Accessories	 Dead stop	
	 Lubrication unit for profile runner blocks	
Modules cam rollers with eccentric spigot		R1900 119 00
Modules cam rollers with central spigot		R1900 119 01

Size						
	25		32		42	52
		1910-532-00			1910-552-00	
			R1910 442 00			
	R1900 125 00	R1900 132 00		R1900 152 00	R1900 152 10 52-h	R1900 152 20 52-sh
	R1900 125 01	R1900 132 01		R1900 152 01	R1900 152 11 52-h	R1900 152 21 52-sh

Product overview

Maximum permissible loads

Important: Not to be used for calculating service life!

For service life calculations use the load capacities and moments given in the tables relating to the individual versions.


Maximum permissible force loads

			20
Standard runner block 1902-, 1907-		$F_{\max y}$ (N)*	700
		$F_{\max y0}$ (N)*	700
		$F_{\max z}$ (N)	400
		$F_{\max z0}$ (N)	600
Super runner block RH1906		$F_{\max y}$ (N)*	350
		$F_{\max y0}$ (N)*	350
		$F_{\max z}$ (N)	200
		$F_{\max z0}$ (N)	300

Maximum permissible moment loads

Standard runner block R1902-, R1907-		$M_{\max x}$ (Nm)	3,2
		$M_{\max x0}$ (Nm)	4,8
		$M_{\max y}$ (Nm)	6,8
		$M_{\max y0}$ (Nm)	10,2
		$M_{\max z}$ (Nm)	12
		$M_{\max z0}$ (Nm)	12
Runner block RH1906		$M_{\max x}$ (Nm)	1,6
		$M_{\max x0}$ (Nm)	2,4

* Observe permissible side force on the rail (see mounting instructions).

Size - Version								
25	32	32 32-2	 42	52	52 52-2	52-h 52-2	52-sh 52-4	
700	1000	1400	3000	2500	3500	4500	8000	
700	1000	1400	3000	2500	3500	4500	8000	
400	850	850	1500	1500	1500	2400	4800	
660	1400	1400	2500	2500	2500	4000	7900	
350								
350								
200								
330								
3,8	11	11	27	32	32	50	101	
6	18	18	42	52	52	84	166	
9	26	26	63	45	45	126	288	
15	42	42	106	75	75	210	474	
16	30	42	127	75	105	236	480	
16	30	42	127	75	105	236	480	
1,9								
3								

Product overview

Maximum permissible loads

Important: Not to be used for calculating service life!

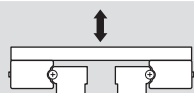
For service life calculations use the load capacities and moments given in the tables relating to the individual versions.

Maximum permissible force loads

Four single/two double bearing runner blocks

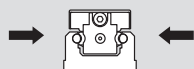


$F_{max y}$	(N)		
$F_{max y0}$	(N)		

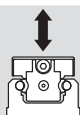


$F_{max z}$	(N)		
$F_{max z0}$	(N)		

U-type runner block



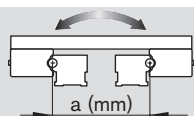
$F_{max y}$	(N)	350	
$F_{max y0}$	(N)	350	



$F_{max z}$	(N)	200	
$F_{max z0}$	(N)	300	

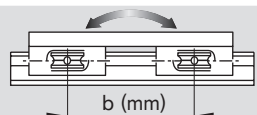
Maximum permissible moment loads

Four single/two double bearing runner blocks

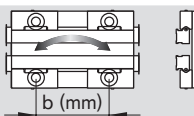


$M_{max x}$	(Nm)		
$M_{max x0}$	(Nm)		

Four single bearing runner blocks

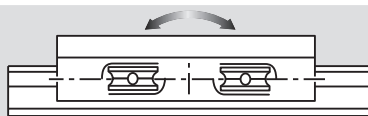


$M_{max y}$	(Nm)		
$M_{max y0}$	(Nm)		

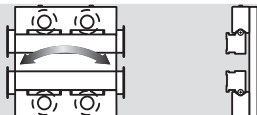


$M_{max z}$	(Nm)		
$M_{max z0}$	(Nm)		

Two double bearing runner blocks

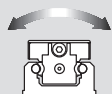


$M_{max y}$	(Nm)		
$M_{max y0}$	(Nm)		

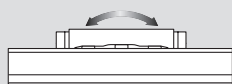


$M_{max z}$	(Nm)		
$M_{max z0}$	(Nm)		

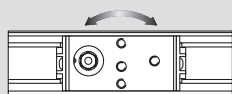
U-type runner block



$M_{max x}$	(Nm)	1,4	
$M_{max x0}$	(Nm)	2,2	



$M_{max y}$	(Nm)	3,4	
$M_{max y0}$	(Nm)	5,1	



$M_{max z}$	(Nm)	6,1	
$M_{max z0}$	(Nm)	6,1	

Size - Version							
25	32	32 32-2	52	52 52-2	52-h 52-2	52-sh 52-4	
	1000	1400	2500	3500	4500	8000	
	1000	1400	2500	3500	4500	8000	
	850	850	1500	1500	2400	4800	
	1400	1400	2500	2500	4000	7900	
	0.42 · a	0.42 · a	0.75 · a	0.75 · a	1.2 · a	2.4 · a	
	0.7 · a	0.7 · a	1.2 · a	1.2 · a	2 · a	3.9 · a	
	0.42 · b	0.42 · b	0.75 · b	0.75 · b	1.2 · b	2.4 · b	
	0.7 · b	0.7 · b	1.2 · b	1.2 · b	2 · b	3.9 · b	
	0.5 · b	0.7 · b	1.2 · b	1.7 · b	2.2 · b	4 · b	
	0.5 · b	0.7 · b	1.2 · b	1.7 · b	2.2 · b	4 · b	
	21	21	49	49	91	194	
	35	35	83	83	152	320	
	25	35	83	116	171	324	
	25	35	83	116	171	324	

Technical data

Maximum travel speed
at medium loads

$$v_{\max} = 10 \text{ m/s}$$

Permissible operating temperature

$$t = -20 \text{ °C up to } +80 \text{ °C}$$

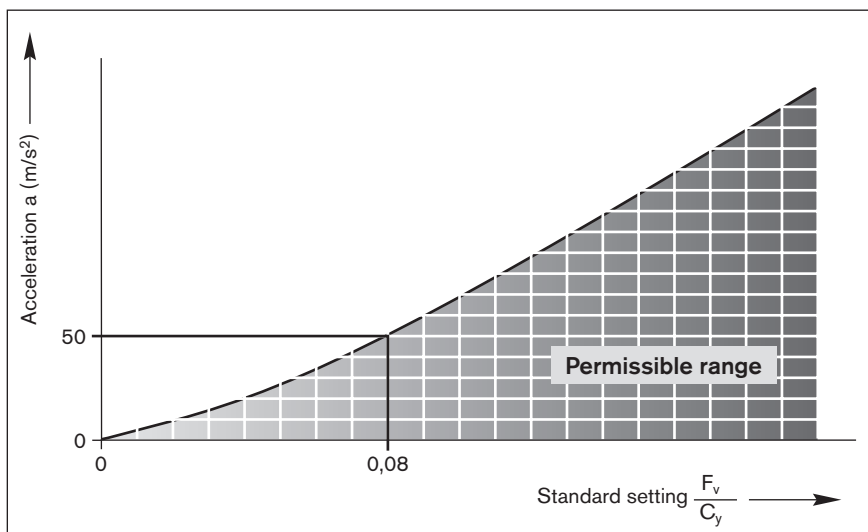
Acceleration

Higher acceleration rates are permissible as long as slip is avoided.

To do this, adjust preload F_v using the eccentric rollers, see chart.

⚠ Increasing the preload will reduce the maximum permissible load.

$$a_{\max} = 50 \text{ m/s}^2$$



Rigidity

The rigidity can be improved by increasing the preload using the eccentric rollers.

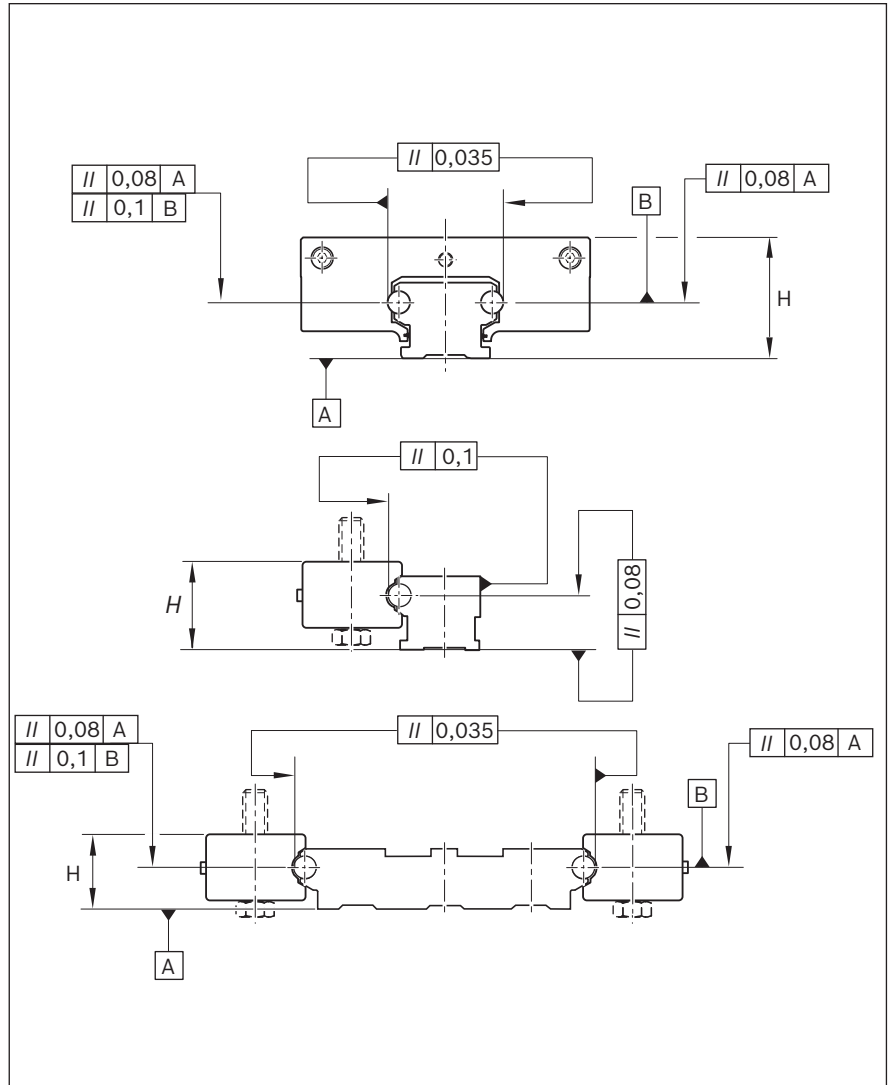
Accuracy

Rexroth guide rails are manufactured to very high precision standards.

Higher accuracies are available on request.

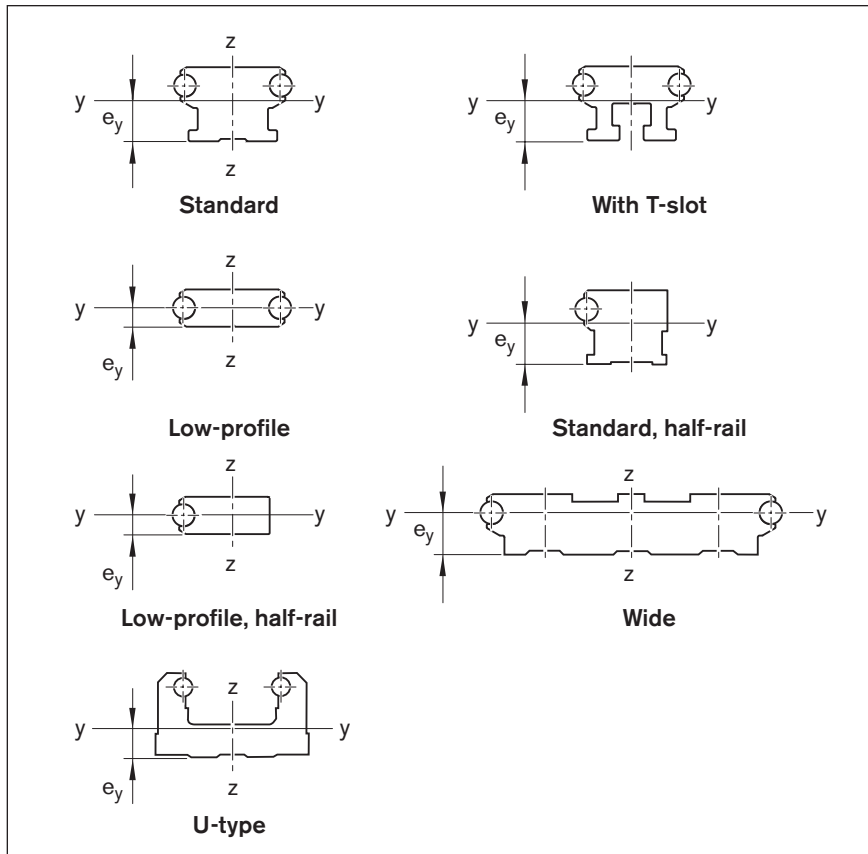
Tolerance for H: ± 0.2 mm

Maximum difference in H on the same guide rail: 0.1 mm



Technical data

Sectional characteristics of guide rails



e_y : Centroid distance
 $I_{y,z}$: Second moment of inertia
 $W_{y,z}$: Section modulus

	Size	Cross-sectional area A (mm ²)	Neutral axis				
			e_y (mm)	I_y (mm ⁴)	y-y W_y (mm ³)	I_z (mm ⁴)	z-z W_z (mm ³)
Standard	20	168	6.0	2060	343	3090	364
	25	244	7.4	4738	623	6432	613
	32	435	10.4	14551	1399	19272	1357
	42	685	11.4	19628	1722	78534	4363
	52	1222	17.6	117945	6701	148971	6477
With T-slot	25	194	8.1	4155	513	6191	590
	32	355	11.4	12295	1079	18666	1315
	52	913	17.6	82725	4596	140984	6130
Low-profile	32	234	5.0	2163	433	11412	804
	52	690	9.0	20750	2306	91104	3961
Standard, half-rail	32	397	10.5	13182	1255	14724	1115
	52	1116	17.7	105926	5985	111856	5251
Low-profile, half-rail	32	217	5.0	1913	383	8841	665
	52	633	9.0	18142	2016	68209	3202
Wide	52	2492	12.4	119636	2099	2378777	41733
U-type	20	360	7.0	8604	782	42000	2545

Life expectancy and static load safety factor

Life expectancy of one cam roller

The nominal service life expectancy L in meters or L_h in hours is attained or

exceeded by at least 90% of a large number of identical rollers.

when subject to force loads

If the cam roller guide is subject to a centrally-acting force F_y or F_z , calculate the nominal travel life using formulas (1) and (2):

The force F must not exceed the maximum permissible force given in the "Maximum permissible loads" tables.

$$(1) \quad L = \left(\frac{C_{y,z}}{F} \right)^3 \cdot 10^5$$

$$(2) \quad L_h = \frac{L}{2 \cdot s \cdot n \cdot 60}$$

- L = nominal life expectancy (m)
- L_h = nominal life expectancy (h)
- $C_{y,z}$ = dynamic load capacity (N)
- F = equivalent dynamic load (N)
- s = length of stroke (m)
- n = stroke repetition rate (min⁻¹) (complete cycles)

when subject to moment loads

If the cam roller guide is subject to a moment M acting about the x, y or z axis only, calculate the nominal travel life using formulas (3) and (4):

The moment M must not exceed the maximum permissible moment load given in the "Maximum Permissible Loads" tables.

$$(3) \quad L = \left(\frac{M_{x,y,z}}{M} \right)^3 \cdot 10^5$$

$$(4) \quad L_h = \frac{L}{2 \cdot s \cdot n \cdot 60}$$

- L = nominal life expectancy (m)
- L_h = nominal life expectancy (h)
- $M_{x,y,z}$ = dynamic moment (Nm)
- M = equivalent dynamic moment load (Nm)
- s = length of stroke (m)
- n = stroke repetition rate (min⁻¹) (complete cycles)

Note

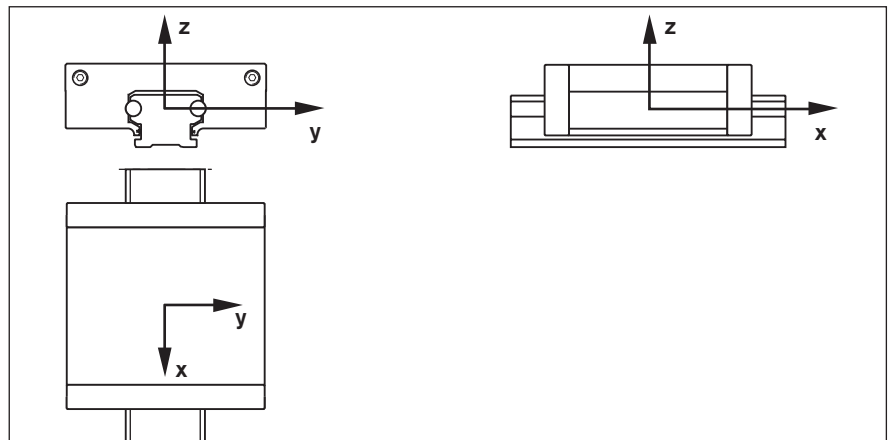
The above formulas for calculation of life expectancy apply only in applications subject to a single force acting centrally in the y or z axis, or a single moment acting about the x, y or z axis.

For applications subject to a combination of forces from different directions or moments about different axes, or any combination of forces and moments, please consult us.

Coordinate system

The following coordinate system is used to define the direction of action of forces

and moments:



Life expectancy and static load safety factor

Static load safety factor

when subject to force loads

If the cam roller guide is subject to a centrally-acting force F_{y0} or F_{z0} , calculate the static load safety factor using

$$(5) \quad S_0 = \frac{C_{y0,z0}}{F_0}$$

formula (5):

The force F_0 must not exceed the maximum permissible force given in the "Maximum permissible loads" tables.

$$\begin{aligned} S_0 &= \text{static load safety factor} && (-) \\ C_{y0,z0} &= \text{static load capacity} && (\text{N}) \\ F_0 &= \text{equivalent static load} && (\text{N}) \end{aligned}$$

when subject to moment loads

If the cam roller guide is subject to a moment M_0 acting about the x, y or z axis only, calculate the static load safety factor using formula (6):

$$(6) \quad S_0 = \frac{M_{x0,y0,z0}}{M_0}$$

The moment M_0 must not exceed the maximum permissible moment load given in the "Maximum permissible loads" tables.

$$\begin{aligned} S_0 &= \text{static load safety factor} && (-) \\ M_{x0,y0,z0} &= \text{static moment} && (\text{Nm}) \\ M_0 &= \text{equivalent static} && \\ &\quad \text{moment load} && (\text{Nm}) \end{aligned}$$

Note

The above formulas for calculation of the static load safety factor apply only in applications subject to a single force acting centrally in the y or z axis, or a single moment acting about the x, y or z axis.

For applications subject to a combination of forces from different directions or moments about different axes, or any combination of forces and moments, please consult us.

Mounting instructions

General instructions

Rexroth cam roller guides are high-quality products and should be treated with the utmost care during transportation and mounting.

All steel parts are coated with preservative oil. The preservative coating need not be removed provided the recommended lubricants are used in the application. Unfavorable environmental conditions

(vibrations, major temperature fluctuations, etc.) can cause a relative shift between the aluminum frame and the rolled-in (or pressed-in) steel shafts of all guide rails. To prevent this phenomenon we recommend a positive-locking axial retention.

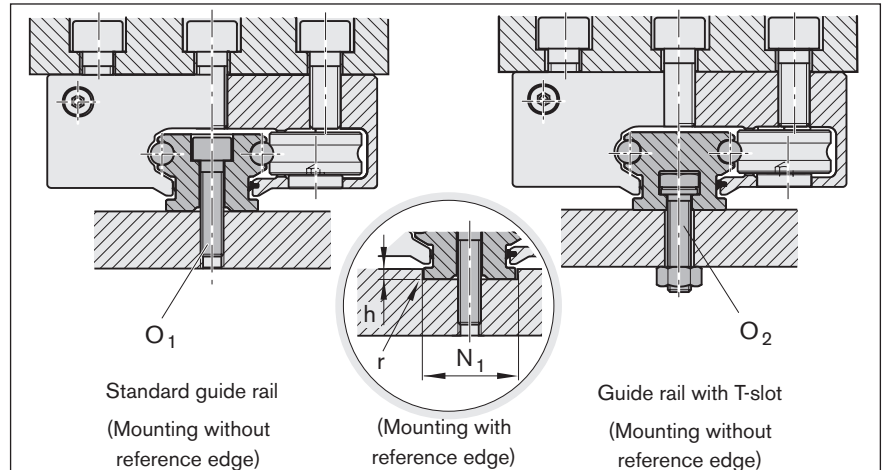
Guide rail mounting

To mount the guide rail:

- Slightly tighten screws.
- Align guide rail.
- Tighten screws to torque as shown in the table.

Standard guide rail (R1921-...):
If the maximum permissible load is to be utilized, install washers to ISO 7092.

Guide rail with T-slot (R1922-...):
Washers are supplied with the rail.



Screw sizes for guide rails

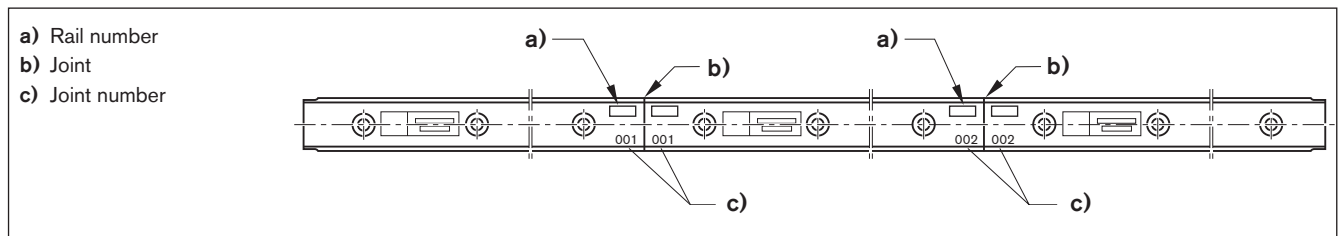
Size - version	20	25	32	32-2	42	52	52-2	52-4
Stand-ard O ₁ (ISO 4762)	M4x16	M5x20	M6x25	M6x25	M8x25	M10x40	M10x40	M12x40
With T-slot O ₂ (ISO 4014) (DIN EN 2417)	-	M5	M6	-	-	M10	-	-
N ₁ min. (mm)	17.1	21.1	24.1	24.1	-	40.1	40.1	40.1
h max. (mm)	1.0	1.5	3.0	3.0	-	5.0	5.0	5.0
r max. (mm)	0.2	0.2	0.2	0.2	-	0.2	0.2	0.2

Permissible side loads

Recommended values for permissible side forces without additional lateral retention of the rail.

Size - version	20	25	32	32-2	42	52	52-2	52-4
F _{per} (N)	200	330	450	900	1000	1000	1600	4000

Composite guide rails made up of several sections



Mounting instructions

Instructions for mounting standard and super runner blocks to the guide rail

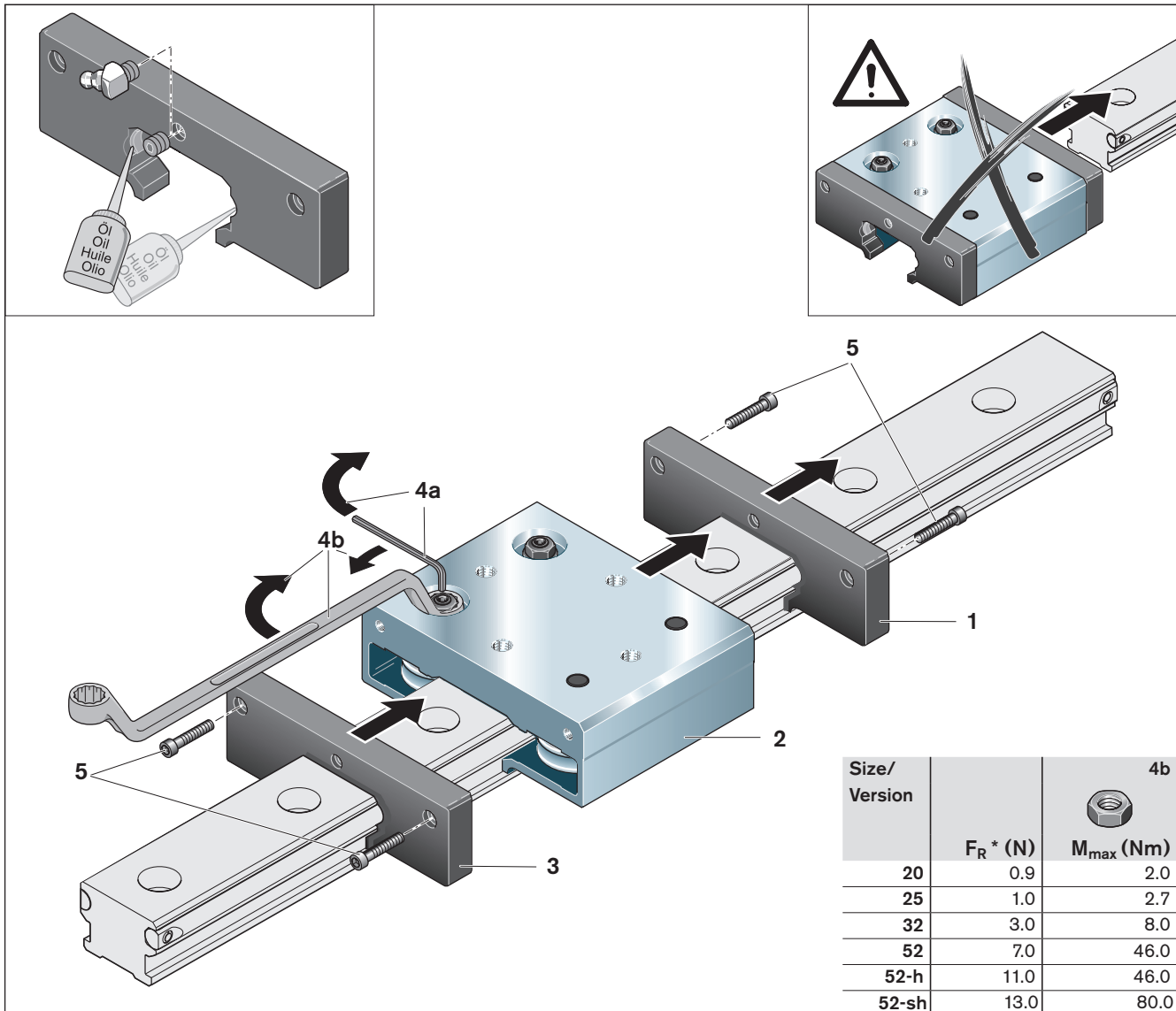
To mount the runner block:
The oil applicator and wiper units ("oiling units" for short) are delivered separate to facilitate installation work.

- Lubricate wiper and lubrication units with oil before sliding (for oil, see "Lubrication")
- Push on the first oiling unit (1):
The felt wiper strips are automatically pressed in by the chamfers on the steel shafts.
- Carefully slide the runner block (2) onto the guide rail.
- Adjust the eccentric rollers (4a), until a slight shifting force F_R is felt (see table for recommended values).

- Tighten the hex nut to torque as shown in the table using a hex wrench to stop the pin from turning (4b).
- Mount the second oiling unit (3).
- Screw the two oiling units to the runner block (5).

⚠ After mounting, the runner block should move freely when pushed.

- After installation, fill oil into the lubrication unit.

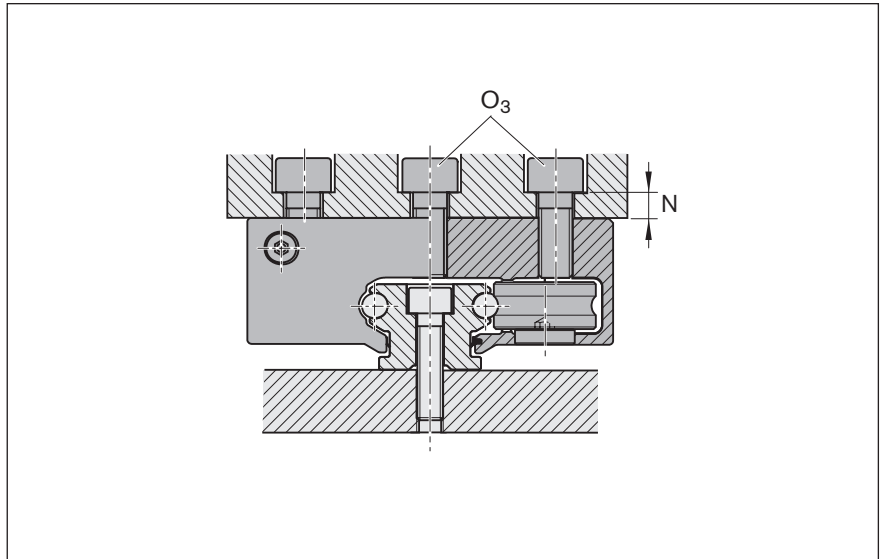


* Computed average shifting force of the runner block for standard adjustment 0.08 C

Mounting superstructures on runner blocks:

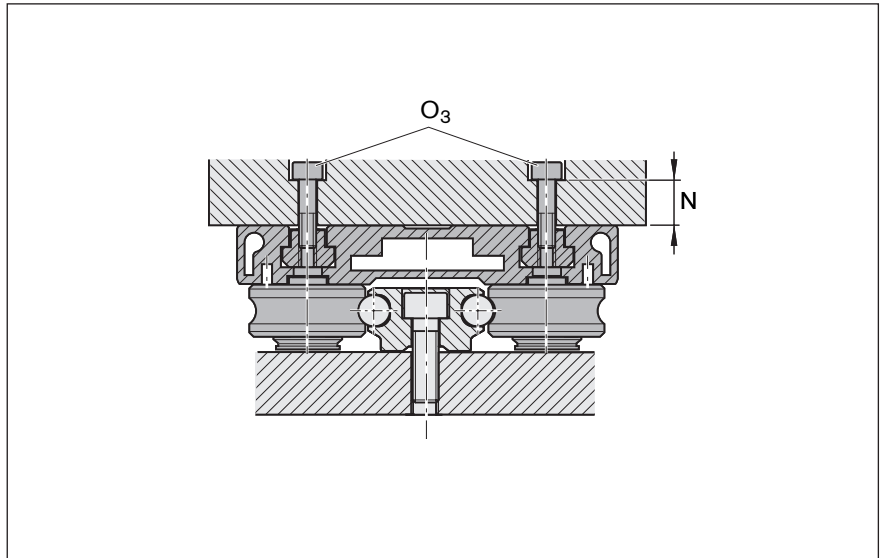
Standard runner block R1902, R1906

- Use screws as per table. Do not use overlong screws! Observe the minimum material strength N!
- Align the superstructure.
- Torque up the screws to the values given in the table.



Profile runner block R1907-



- Use screws as per table. Do not use overlong screws! Observe the minimum material strength N!
- Align the superstructure.
- Torque up the screws to the values given in the table.



Runner blocks

Size - Version	20	25	32	32-2	42	52	52-2
O ₃ (DIN ISO 4762)	M5x16	M5x16	M8x25	M8x20	M10x30	M10x35	M12x35
N (mm)	8	7	7	7	12	12	12

Tightening torques for mounting screws

	8.8	M4	M5	M6	M8	M10	M12
							
	(Nm)	2,7	5,5	9,5	23	46	80

Design of mounting surface

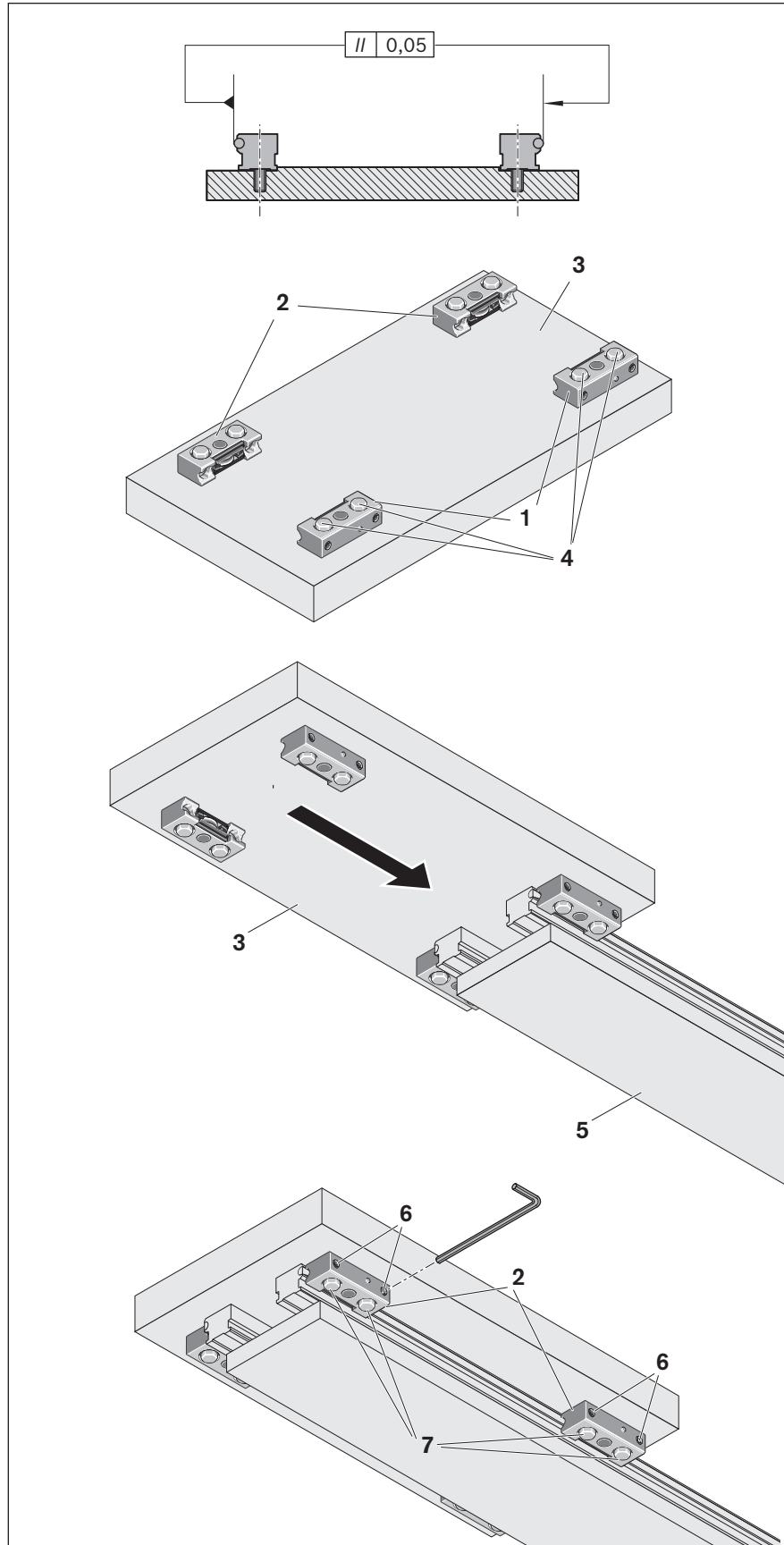
Unevenness or distortion of mounting surfaces (adjoining structures) will impair the accuracy of the guideway and should be kept to a minimum.

Mounting instructions

Mounting single/double bearing runner blocks with adjustment screws

1. Mounting

- Align and mount the rails.
- Preassemble runner blocks (1+2) on the carriage (3). Do not yet tighten the screws.
- Align the runner blocks on one side (1) of the carriage (3) and tighten the mounting screws (4) alternately until tightening torque M_A is reached.
- Slide the carriage (3) onto the rails (5).
- Adjust the runner blocks on the opposite side (2) to zero clearance against the guide rail using adjustment screws (6). Adjust the preload.
- Alternately tighten the mounting screws (7) on the runner blocks (2) until tightening torque M_A is reached.



Size -version	32	52	52-h	52-sh
M_A (Nm)	23	46	80	80

Lubrication

Lubrication

The runner blocks have an oiling unit at each end.

Apply oil to the felt wiper strips before installing runner blocks..

The lubrication plate contains a large oil container for long relubrication intervals.

Oiling unit with large oil reservoir R1910-4..

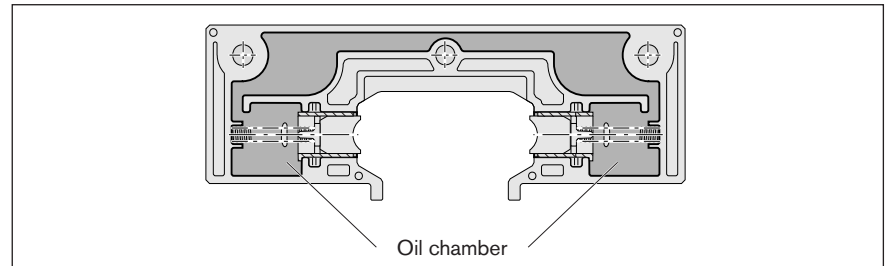
- Longer travel until in-service lubrication required: $15 \cdot 10^5$ m stroke.
- Dual function: simultaneous lubricating and wiping.
- Targeted shaft lubrication.
- Lubrication even at 90° orientation.
- For initial lubrication and relubrication, fill the oil slowly and without pressure.

Initial lubrication:

- For sizes 20 to 32, fill the entire oil volume slowly and without pressure in one stroke. For size 52, fill the oil volume in three equal partial amounts. See table for the required oil volume.

Relubrication:

- Fill oil container until oil escapes.



Size - version	Part number	Oilvolume initial filling (cm ³)
20	R1910 419 00	2.5
25	R1910 425 00	3.0
32	R1910 432 00	6.5
52	R1910 452 00	18.0
52-h	R1910 452 10	20.0
52-sh	R1910 452 20	20.0

The lubrication unit is not a hermetically sealed, leak-proof tank. Minimal oil loss over time (lubrication interval) cannot be excluded, particularly for wall and overhead installations (droplet formation on welded seams/edges) and does not negatively affect its function.

For critical applications e.g. food processing, clean room applications please consult us.

Lubricant:

Oil lubrication of runner blocks (including U-type)

We recommend lubricant oils CLP, CGLP as per DIN 51517 with a viscosity of ISO VG 680 -1000 mm²/s at 40°C as per DIN 51519.

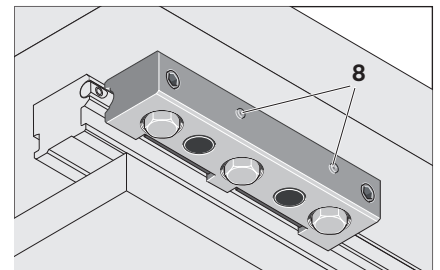
Grease lubrication of bearing runner blocks

We recommend grease lubricants to DIN 51825 - K P2 K20. A corresponding grease Dynalub 510 is available as a 400 g cartridge. Part number: R3416 037 00

Caution: Do not use greases containing solid lubricant particles (e.g., graphite or MoS₂).

In-service lubricating intervals will depend on the application and the ambient conditions.

- Lubricate S/D bearing runner blocks until excess grease emerges.
- For double bearing runner blocks, use both lube nipples (8)!



Minimum stroke length

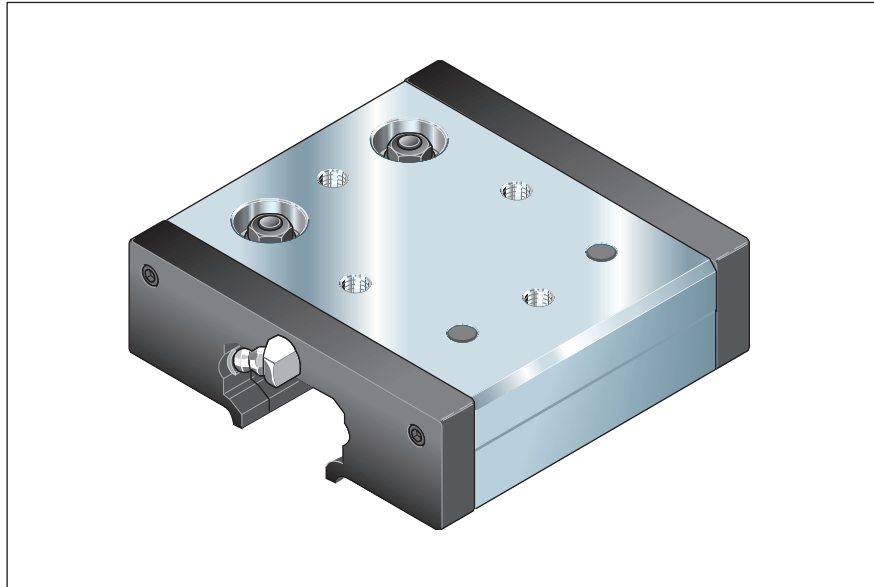
As a rule, the stroke length should not be less than the length of the runner block. For applications with shorter stroke lengths, please consult us.

Angular contact bearings

The angular contact ball bearings in the roller elements are sealed and lubricated for life.

Standard runner blocks

Runner block R1902



Part numbers, load capacities and moments for calculating service life

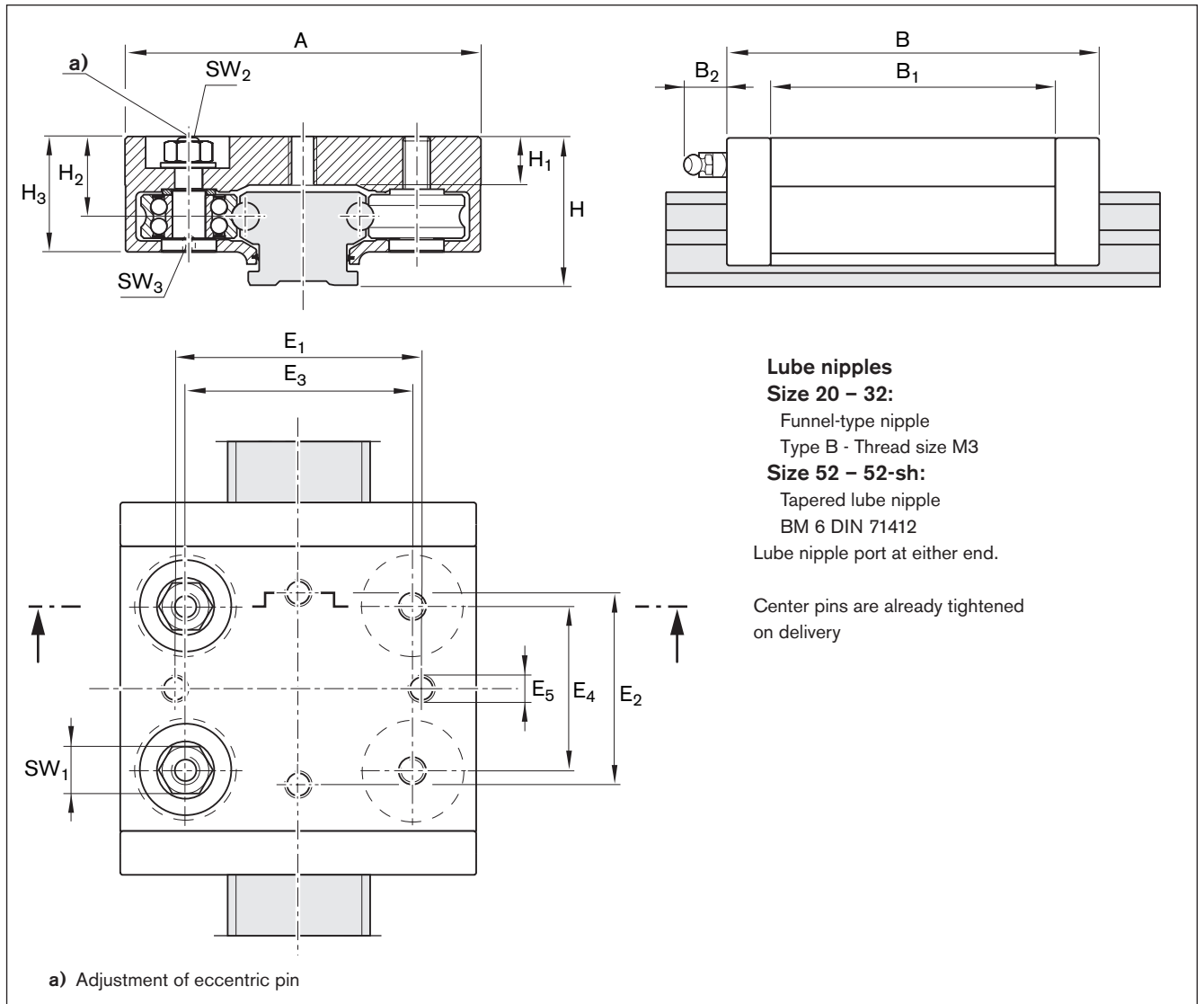
Size -Version	Part number	Load capacities				Moment loads					
		C_y (N)	C_{y0} (N)	C_z (N)	C_{z0} (N)	M_x (Nm)	M_{x0} (Nm)	M_y (Nm)	M_{y0} (Nm)	M_z (Nm)	M_{z0} (Nm)
20	R1902 119 00	2300	1600	1336	783	10.7	6.3	22.7	13.3	39	27
25	R1902 125 00	2550	1780	1357	803	13.0	7.6	30.5	18.0	57	40
32	R1902 132 00	7335	4560	4300	2200	56.0	29.0	129.0	66.0	220	137
52	R1902 152 00	17150	10200	10050	4900	211.0	103.0	301.0	147.0	515	306
52-h	R1902 252 00	27900	15400	16775	7630	352.0	160.0	880.0	400.0	1465	808
52-sh	R1902 352 00	31000	18200	18400	8750	390.0	184.0	1100.0	520.0	1860	1100

Important:

Observe maximum permissible loads due to forces and moments as shown in the "Maximum permissible loads" tables!

The part numbers refer to runner blocks with oiling units.
Part numbers for runner blocks without oiling units:
Size R1901 ... 00 (otherwise as shown in table)

Part numbers for oiling units without runner blocks:
Size 20-52 R1910 4.. 00 (otherwise as shown in table)
Size 52-h R1910 452 10
Size 52-sh R1910 452 20



Size -Version	Dimensions (mm)																Mass (kg)
	A	B	B ₁	B ₂	H	H ₁	H ₂	H ₃	E ₁	E ₂	E ₃	E ₄	E ₅	SW ₁	SW ₂	SW ₃	
20	56	79	59	7	22.0	8.5	13.0	20.0	39	49	34.0	34	M5	7	2	2	0.20
25	65	95	75	7	25.0	9.0	14.4	22.3	50	60	40.0	45	M5	7	2	2	0.25
32	86	112	92	7	35.5	13.0	20.5	29.5	59	70	54.0	60	M8	10	3	4	0.56
52	130	136	104	16	54.3	19.4	29.2	42.2	90	70	83.3	60	M10	16	4	6	1.50
52-h	145	186	154	16	60.4	24.0	35.3	51.0	105	110	90.0	105	M10	16	4	6	2.60
52-sh	155	205	173	16	60.4	24.0	35.3	51.0	115	140	95.0	120	M12	18	6	8	3.30

Super runner blocks

Runner block R1906



Part numbers, load capacities and moments for calculating service life

Size -version	Part number	Load capacities				Moment loads	
		C_y (N)	C_{y0} (N)	C_z (N)	C_{z0} (N)	M_x (Nm)	M_{x0} (Nm)
20	R1906 119 00	1150	800	660	390	5.4	3.1
25	R1906 125 00	1275	890	670	400	6.5	3.8

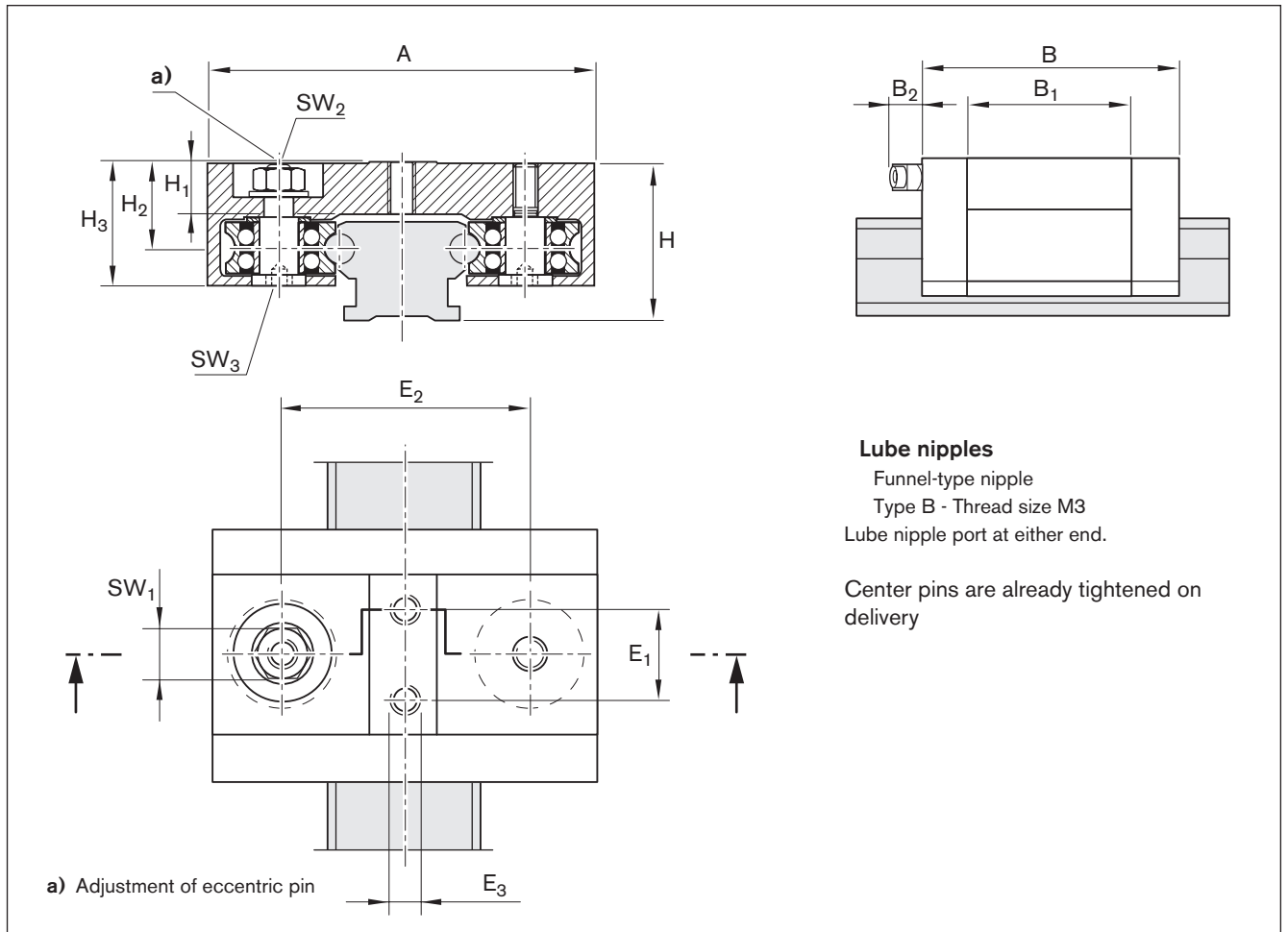
Important:

Observe maximum permissible loads due to forces and moments as shown in the "Maximum permissible loads" tables!

The part numbers refer to runner blocks with oiling units.

Part numbers for runner blocks without oiling units:
R1906 1.. 30 (otherwise as shown in table)

Part numbers for oiling units without runner blocks:
R1910 4.. 00 (otherwise as shown in table)



Size -Version	Dimensions (mm)															Mass (kg)
	A	B	B ₁	B ₂	H	H ₁	H ₂	H ₃	E ₁	E ₂	E ₃	SW ₁	SW ₂	SW ₃		
20	56	50	30	7	22.0	8.5	13.0	20.0	17	34	M5	7	2	2	0.10	
25	65	50	30	7	25.0	9.0	14.4	22.3	20	40	M5	7	2	2	0.10	

Runner blocks

Profile runner block R1907

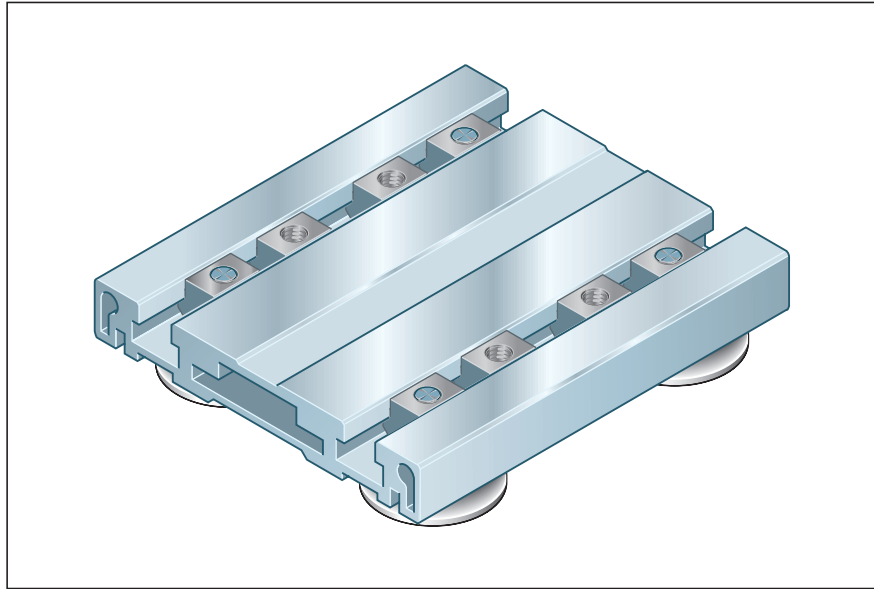
Accessories:

Optionally, a separate lubrication unit is available for each cam roller of the profile runner block.

Part number: R1910 442 00

We recommend the complete lubrication with four lubrication units.

For more information, see "Accessories".

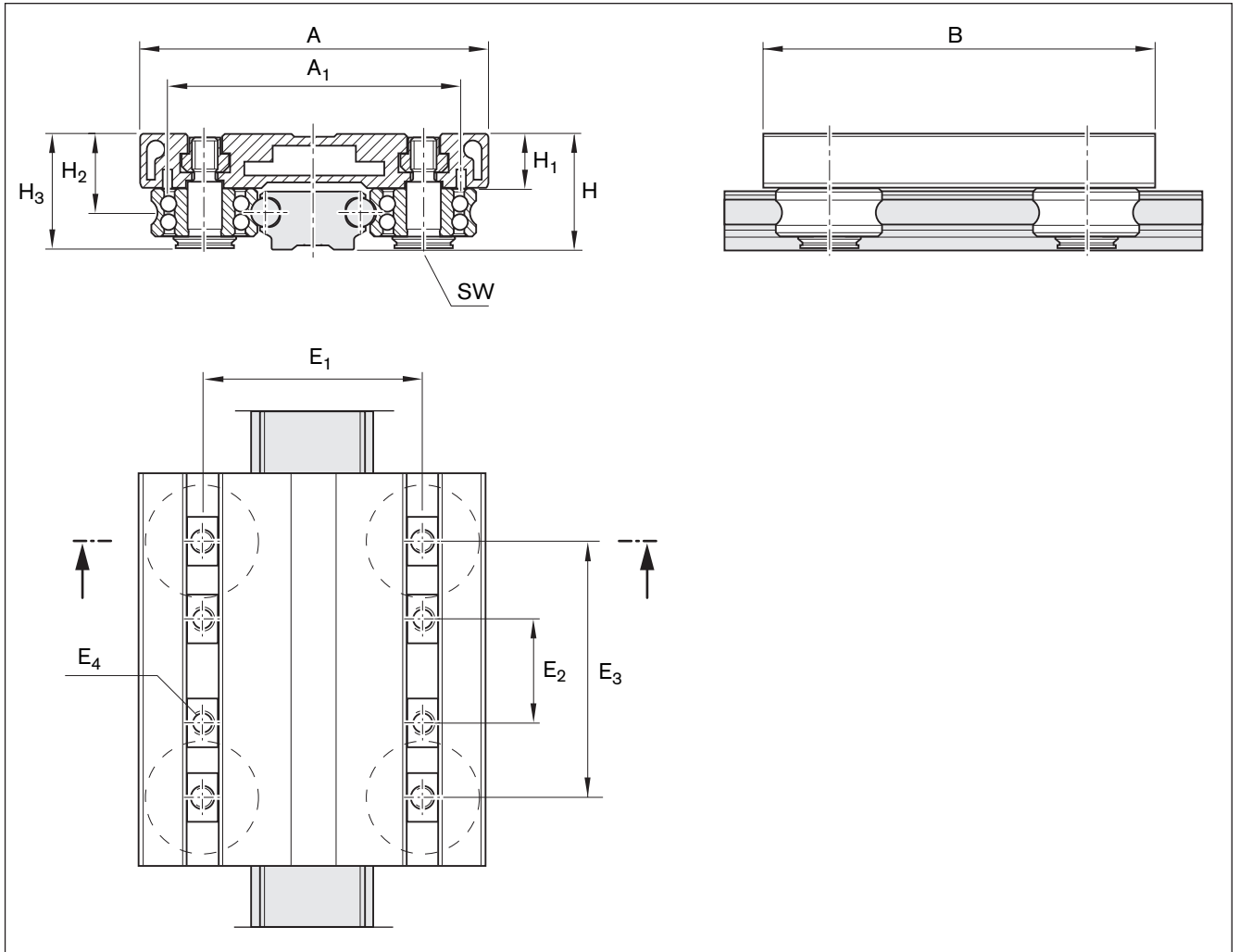


Part numbers, load capacities and moments for calculating service life

Size -version	Part number	Load capacities				Moment loads					
		C_y (N)	C_{y0} (N)	C_z (N)	C_{z0} (N)	M_x (Nm)	M_{x0} (Nm)	M_y (Nm)	M_{y0} (Nm)	M_z (Nm)	M_{z0} (Nm)
42	R1907 142 00	17150	10200	10050	4900	162	97	430	258	729	433

Important:

Observe maximum permissible loads due to forces and moments as shown in the "Maximum permissible loads" tables!

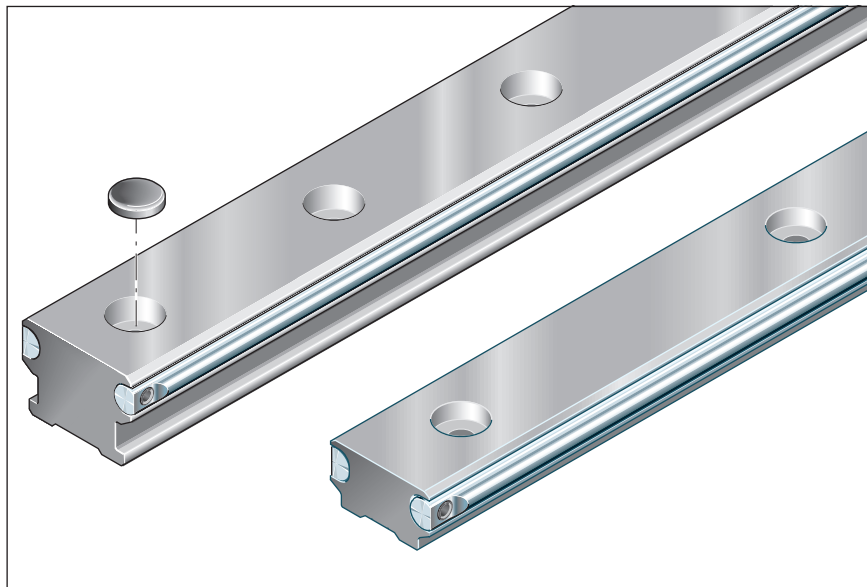


Size -Version	Dimensions (mm)												Mass (kg)
	A	A ₁	B	H	H ₁	H ₂	H ₃	E ₁	E ₂	E ₃	E ₄	SW ₁	
42	116	98.5	150	39	18	26.4	38.1	73	15 - 55	85	M8	6	1.03

Guide rails

Guide rail standard R1921

- For mounting from above
- Optional mounting hole plugs (to be ordered separately)
- Corrosion resistant steel shafts to DIN EN ISO 683-17 / EN 10088



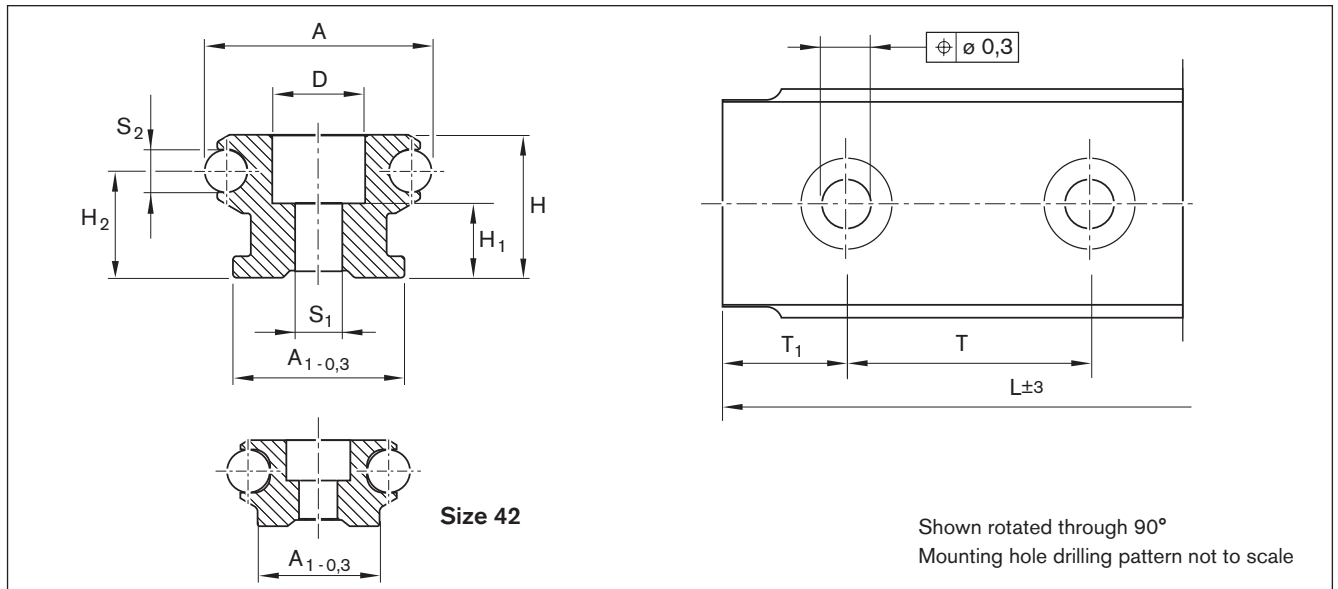
Part numbers, lengths

Size -version	Standard length ¹⁾ (mm)	L _{max} (mm)	without holes	with holes	Mounting hole plugs	Holes per meter ¹⁾
			Part number Length;...(mm)	Part number Length;...(mm)	Part number Quantity;...	
20	3500	7000	R1921 019 31,...	R1921 119 31,...	R1605 800 80,...	16
25	3500	7000	R1921 025 31,...	R1921 125 31,...	R1605 800 80,...	16
32	3500	7000	R1921 032 31,...	R1921 132 31,...	R1605 200 80,...	8
32-2	3500	7000	-	R1921 232 31,...	R1605 200 80,...	16
42	3500	7000	R1921 042 31,...	R1921 142 31,...	R1605 300 80,...	8
52	3500	7000	R1921 052 31,...	R1921 152 31,...	R1605 400 90,...	4
52-2	3500	7000	-	R1921 252 31,...	R1605 400 90,...	8
52-4	3500	7000	-	R1921 452 31,...	R1605 500 90,...	16

1) Running tracks up to 3500 mm are made of one-piece precision steel shafts.

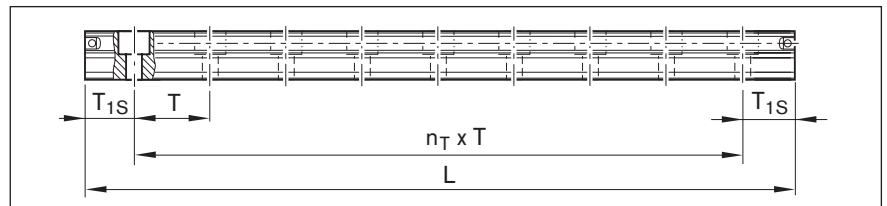
2) Number for one meter at preferred length T₁₅

Size -version	Hole spacing T (mm)	Recommended rail lengths			
		Number of holes/Rail length L (mm)			
20, 25, 32-2, 52-4	62,5	2/121	10/621	18/1121	40/2496
		4/246	12/746	20/1246	50/3125
		6/371	14/871	24/1496	56/3496
		8/496	16/996	30/1871	
32, 42, 52-2	125	2/246	10/1246	18/2246	28/3496
		4/496	12/1496	20/2496	
		6/746	14/1746	22/2746	
		8/996	16/1996	24/2996	
52	250	2/496	6/1496	14/3496	
		3/746	8/1996		
		4/996	10/2496		
		5/1246	12/2996		



Size -Version	Dimensions (mm)											Mass (kg)
	A	A ₁	H	H ₁	H ₂	D	S ₁	S ₂	T	T _{1S}	T _{1min.}	
20	20	17	12	5.0	9.0	9.4	4.5	4	62.5	29.25	13	0.60
25	25	21	15	6.0	10.6	9.4	5.5	6	62.5	29.25	13	1.00
32	32	24	20	9.5	15.0	11.0	6.5	6	125.0	60.50	13	1.60
32-2	32	24	20	9.5	15.0	11.0	6.5	6	62.5	29.25	13	1.60
42	42	28	20	9.0	12.6	15.0	9.0	10	125.0	60.50	13	2.68
52	52	40	34	19.0	25.1	20.0	11.0	10	250.0	123.00	20	4.40
52-2	52	40	34	19.0	25.1	20.0	11.0	10	125.0	60.50	20	4.40
52-4	52	40	34	17.0	25.1	24.0	13.0	10	62.5	29.25	20	4.40

Ordering a guide rail



Calculating guide rail length

Recommendation:

Use preferred length T_{1S}.

- Observe minimum spacing T_{1 min.}! (see table)
- T₁ is the same at either end of the rail.

$$L = n_B \cdot T - 4$$

or

$$L = n_T \cdot T + 2 \cdot T_{1S}$$

L = rail length (mm)
 T = hole spacing*) (mm)
 T_{1S} = preferred dimension*) (mm)
 n_B = number of holes
 n_T = number of spaces
 *) see table for values

Ordering example

Guide rail: size 25
 Desired length: 620 to 625 mm
 $n_B = 620/T = 620/62.5 = 9.92$
 rounded to whole numbers
 = 10 holes,
 $n_T = n_B - 1 = 9$

Rail ordering data:

Part number, length (mm)

T₁ / n_T x T / T₁ (mm)

R1921 125 31, 621

29.25 / 9 x 62.5 / 29.25

Mounting hole plug ordering data:

Part number, quantity

R1605 800 90, 10

Length to be ordered

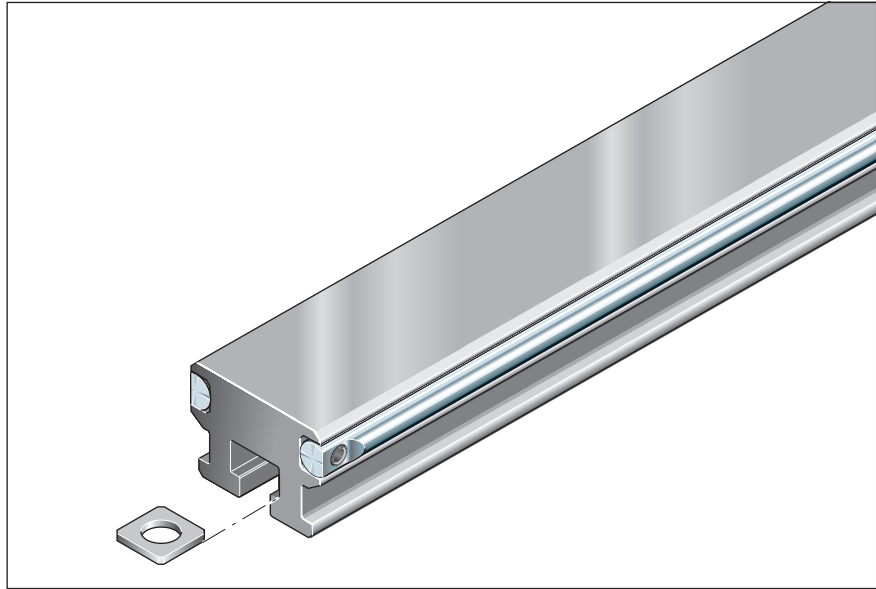
$$L = 10 \cdot 62.5 - 4 = 621 \text{ mm} \quad \text{or}$$

$$L = 9 \cdot 62.5 + 2 \cdot 29.25 = 621 \text{ mm}$$

Guide rails

Guide rail with T-slot R1922

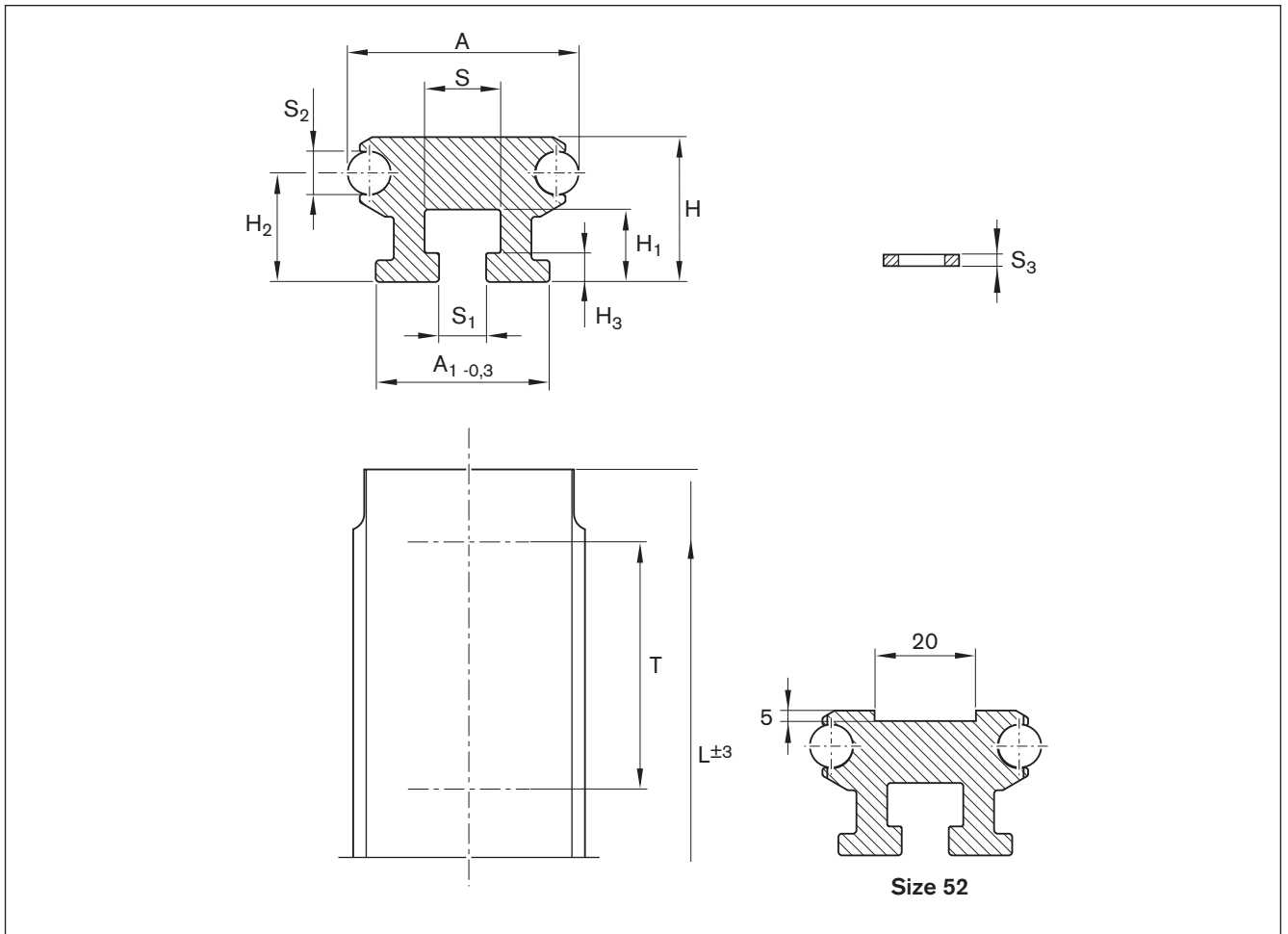
- For mounting from below
- Washers supplied
(quantity according to spacing T)
- Corrosion resistant steel shafts to
DIN EN ISO 683-17 / EN 10088



Part numbers, lengths

Guide rail with T-slot			
Size	Standard length ¹⁾	L _{max} (mm)	Part number Length;... (mm)
25	3500	7000	R1922 025 31,...
32			R1922 032 31,...

1) Running tracks up to 3500 mm are made of one-piece precision steel shafts.


Note

See "Mounting instructions, guide rail mounting".

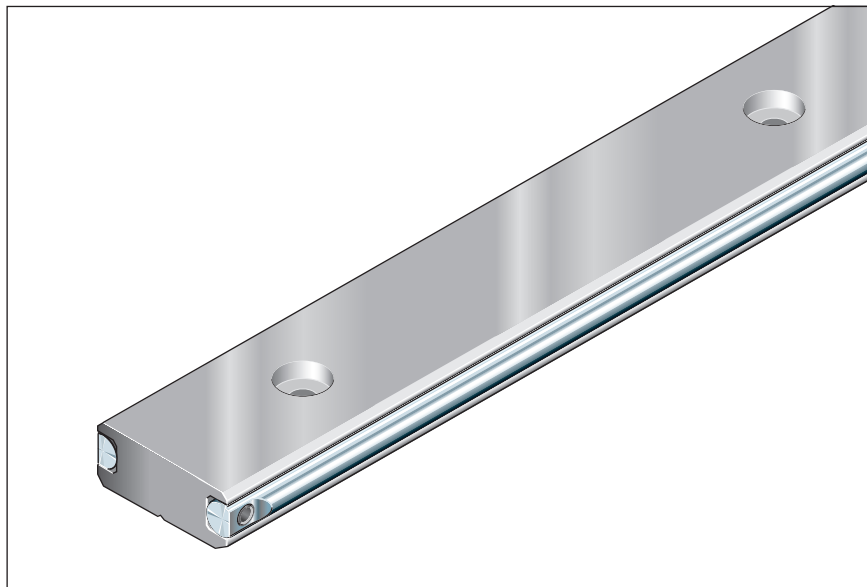
Size	Dimensions (mm)											Mass (kg/m)
	A	A ₁	H	H ₁	H ₂	H ₃	S	S ₁	S ₂	S ₃	T	
25	25	21	15	8.0	10.6	3.0	8.2	5.5	6	1.0	62.5	0.95
32	32	24	20	10.0	15.0	4.0	10.5	6.5	6	1.6	125.0	1.60

T = Maximum distance between mounting screws

Guide rails

Guide rail, low profile R1924

- Corrosion resistant steel shafts to DIN EN ISO 683-17 / EN 10088

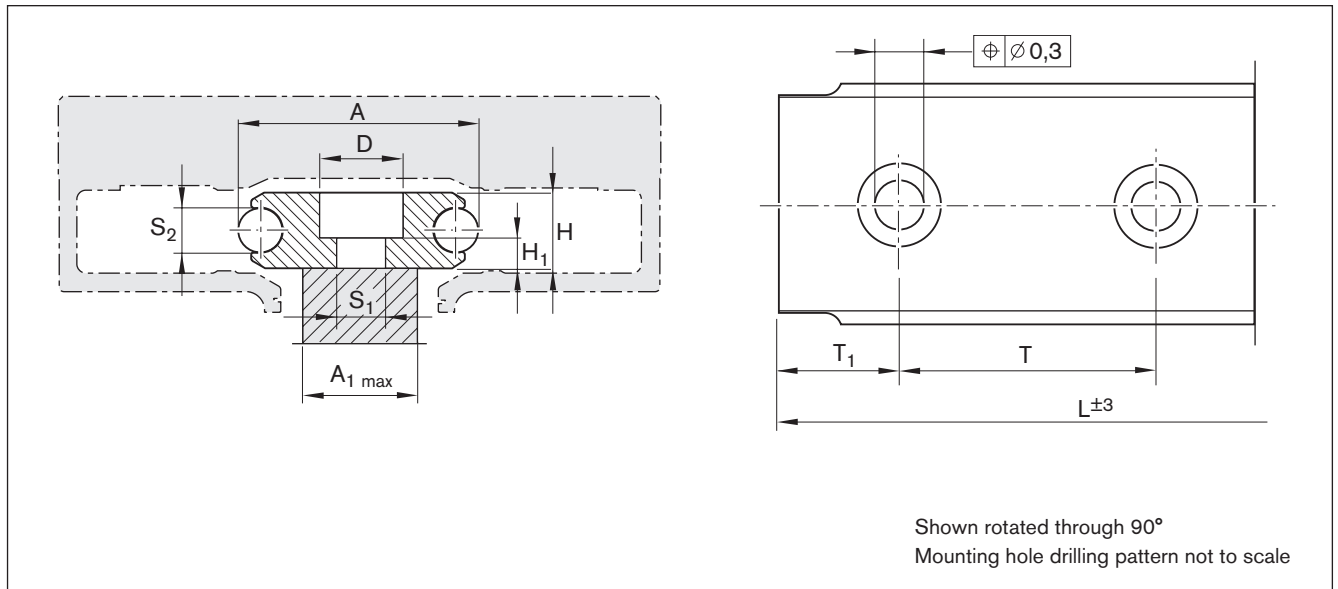


Part numbers, lengths

Guide rail, low profile			without holes	with holes
Size	Standard length ¹⁾ (mm)	L _{max} (mm)	Part number Length:,...(mm)	Part number Length:,...(mm)
32	3500	7000	R1924 032 31,...	R1924 132 31,...
32-2	3500	7000	–	R1924 232 31,...
52	3500	7000	R1924 052 31,...	R1924 152 31,...
52-2	3500	7000	–	R1924 252 31,...
52-4	3500	7000	–	R1924 452 31,...

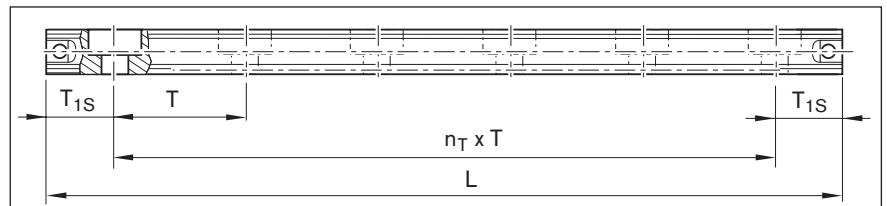
1) Running tracks up to 3500 mm are made of one-piece precision steel shafts.

Size -version	Hole spacing T (mm)	Recommended rail lengths			
		Number of holes/rail length L (mm)			
32-2, 52-4	62,5	2/121	10/621	18/1121	40/2496
		4/246	12/746	20/1246	50/3125
		6/371	14/871	24/1496	56/3496
		8/496	16/996	30/1871	
32, 52-2	125	2/246	10/1246	18/2246	28/3496
		4/496	12/1496	20/2496	
		6/746	14/1746	22/2746	
		8/996	16/1996	24/2996	
52	250	2/496	6/1496	14/3496	
		3/746	8/1996		
		4/996	10/2496		
		5/1246	12/2996		



Size -version	Dimensions (mm)												Mass (kg)
	A	A _{1 max}	H	H ₁	H ₂	D	S ₁	S ₂	T	T _{1S}	T _{1 min.}		
32	32	19	10	3.5	5	11	6.5	6	125.00	60.50	13	1.1	
32-2	32	19	10	3.5	5	11	6.5	6	62.50	29.25	13	1.1	
52	52	32	18	7.0	9	20	11.0	10	250.00	123.00	20	3.1	
52-2	52	32	18	7.0	9	20	11.0	10	125.00	60.50	20	3.1	
52-4	52	32	18	7.0	9	20	11.0	10	62.50	29.25	20	3.1	

Ordering a guide rail



Calculating guide rail length

Recommendation:

Use preferred length T_{1S}.

- Observe minimum spacing T_{1 min}! (see table)
- T₁ is the same at either end of the rail.

$$L = n_B \cdot T - 4$$

or

$$L = n_T \cdot T + 2 \cdot T_{1S}$$

L = rail length (mm)
 T = hole spacing*) (mm)
 T_{1S} = preferred dimension*) (mm)
 n_B = number of holes
 n_T = number of spaces
 *) see table for values

Ordering example

Guide rail: size 25
 Desired length: 620 to 625 mm
 $n_B = 620/T = 620/62.5 = 9.92$
 rounded to whole numbers
 = 10 holes,
 $n_T = n_B - 1 = 9$

Rail ordering data:
 Part number, length (mm)
 T₁ / n_T x T / T₁ (mm)
R1924 232 31, 621
29.25 / 9 x 62.5 / 29.25

Length to be ordered

$$L = 10 \cdot 62.5 - 4 = 621 \text{ mm} \quad \text{or}$$

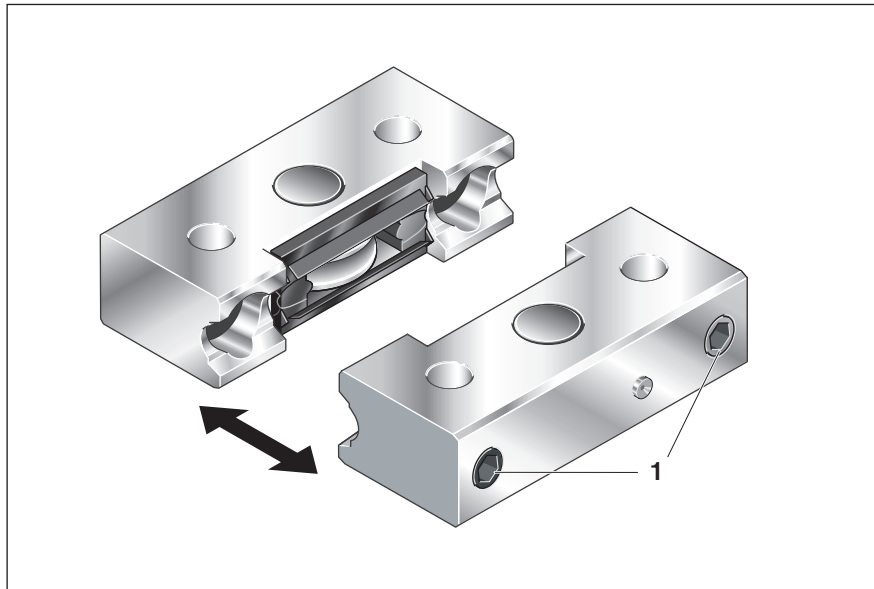
$$L = 9 \cdot 62.5 + 2 \cdot 29.25 = 621 \text{ mm}$$

Single/double bearing runner blocks with adjustment screws

Single bearing runner blocks R1903

Special features:

- Freely selectable carriage structure spacing.
- Zero-clearance adjustment using socket hex screws (1) on the rear side of the runner blocks.
- Tough all-round sealing gives excellent wiper performance. Grease lubricant recommended.



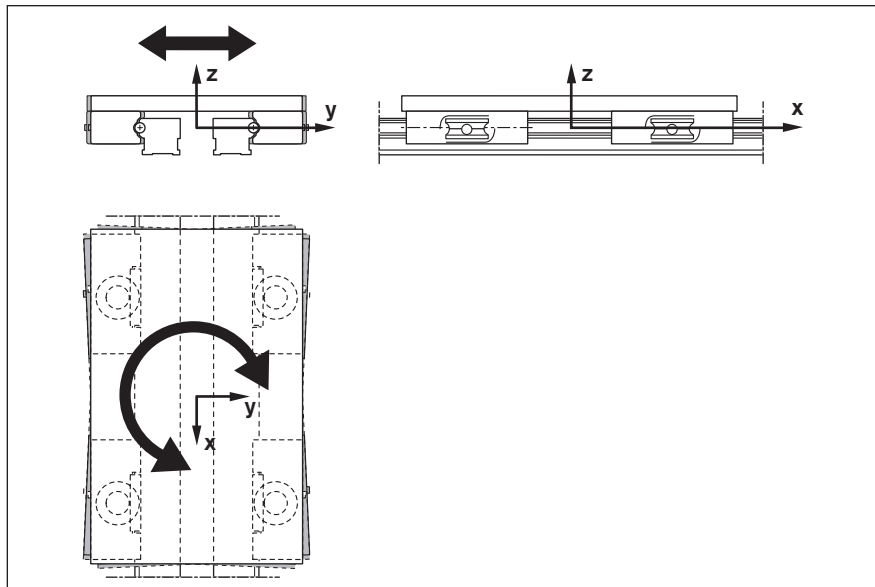
Part numbers, Load capacities and moment loads for calculating service life when using four single bearing runner blocks

Size -version	Part number	Load capacities				Moment loads					
		C_y (N)	C_{y0} (N)	C_z (N)	C_{z0} (N)	M_x (Nm)	M_{x0} (Nm)	M_y (Nm)	M_{y0} (Nm)	M_z (Nm)	M_{z0} (Nm)
32	R1903 132 10	7335	4560	4300	2200	$2.1 \cdot a$	$1.1 \cdot a$	$2.1 \cdot b$	$1.1 \cdot b$	$3.6 \cdot b$	$2.2 \cdot b$
52	R1903 152 10	17150	10200	10050	4900	$5.0 \cdot a$	$2.4 \cdot a$	$5.0 \cdot b$	$2.4 \cdot b$	$8.5 \cdot b$	$5.1 \cdot b$
52-h	R1903 252 10	27900	15400	16775	7630	$8.3 \cdot a$	$3.8 \cdot a$	$8.3 \cdot b$	$3.8 \cdot b$	$13.9 \cdot b$	$7.6 \cdot b$
52-sh	R1903 352 10	31000	18200	18400	8750	$9.3 \cdot a$	$4.4 \cdot a$	$9.2 \cdot b$	$4.3 \cdot b$	$15.5 \cdot b$	$9.1 \cdot b$

Advantage

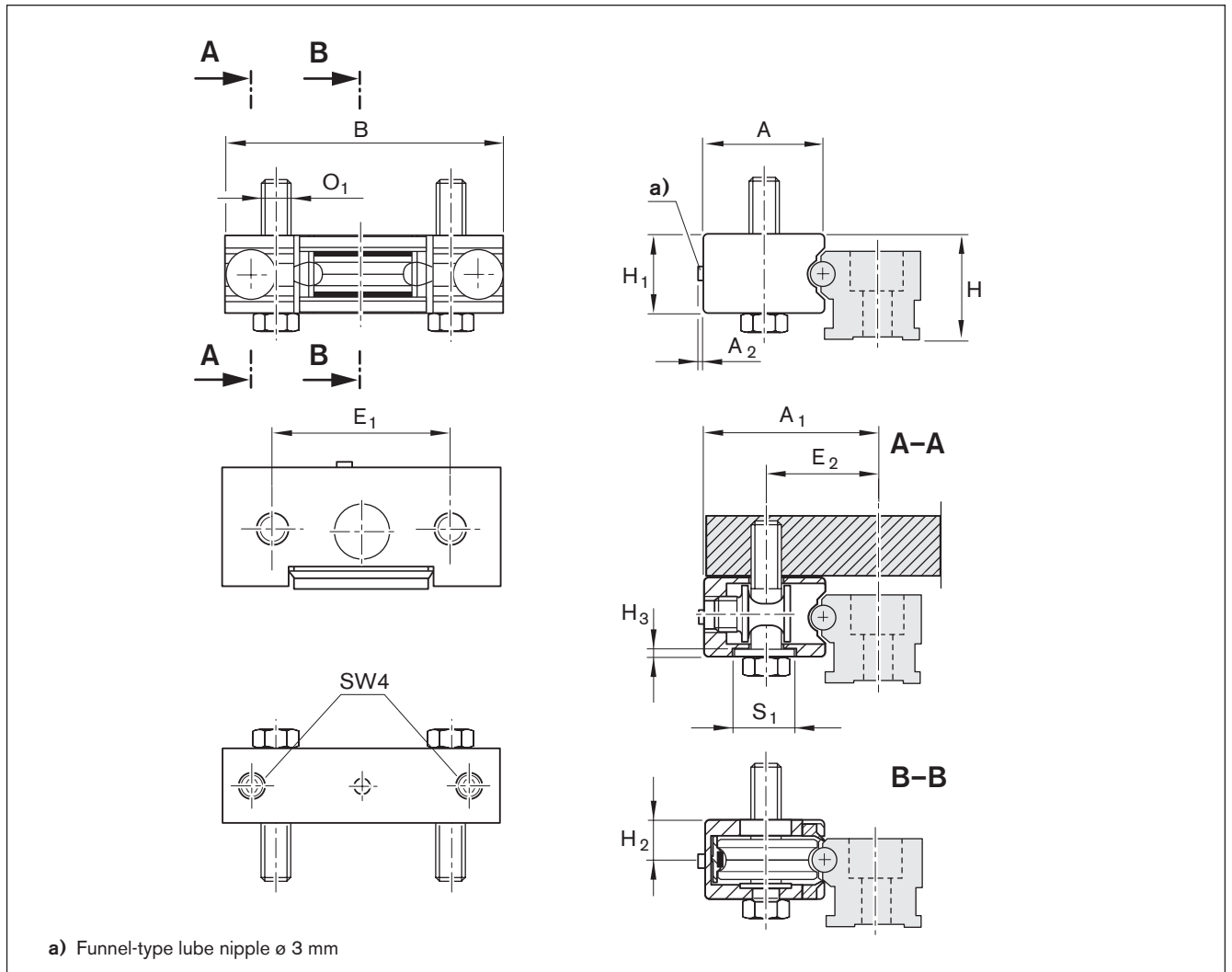
The adjustment screws provide for zero-clearance running.

These screws can be used to rotate the runner block slightly about the z axis or shift it along the y axis to obtain optimal alignment.



Important:

Observe maximum permissible loads due to forces and moments as shown in the "Maximum permissible loads" tables!



Size-Version	Dimensions (mm)											Mass (kg)	
	A	A ₁	A ₂	B	H	H ₁	H ₂	H ₃	E ₁	E ₂	S ₁		O ₁ ¹⁾
32	31.0	43.0	2	87.0	26	20.5	11.0	2.5	54	27.0	18	M8	0.13
52	44.5	65.0	2	104.0	40	29.5	14.9	2.5	66	42.0	22	M10	0.34
52-h	52.0	72.5	2	118.5	42	33.5	16.9	3.0	76	45.0	26	M12	0.51
52-sh	57.0	77.5	2	123.5	42	33.5	16.9	3.0	81	47.5	26	M12	0.61

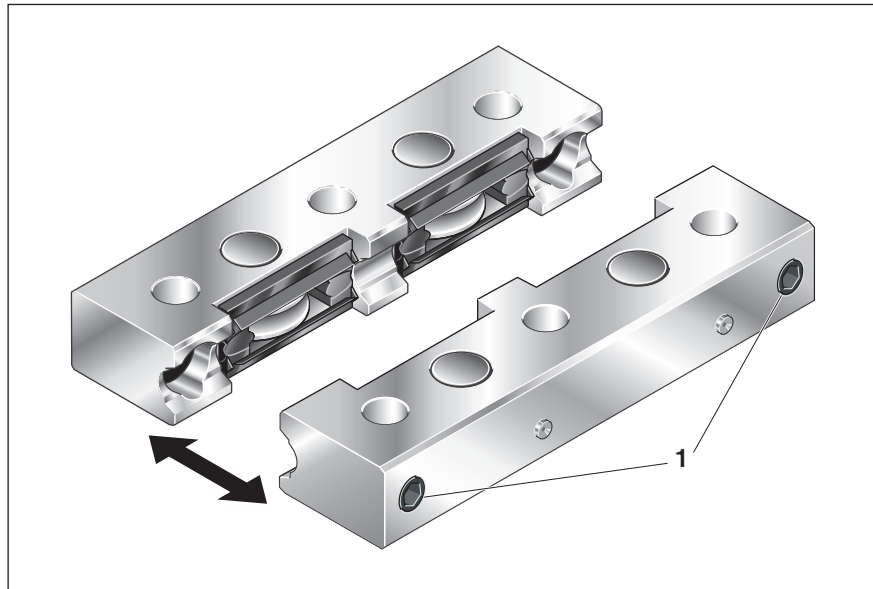
- 1) Mounting screws are not included in the supply.
 For screws to ISO 4014 8.8, install a washer to ISO 7089

Single/double bearing runner blocks with adjustment screws

Single bearing runner blocks R1904

Special features:

- Freely selectable carriage structure spacing.
- Zero-clearance adjustment using socket hex screws (1) on the rear side of the runner blocks.
- Tough all-round sealing gives excellent wiper performance. Grease lubricant recommended.



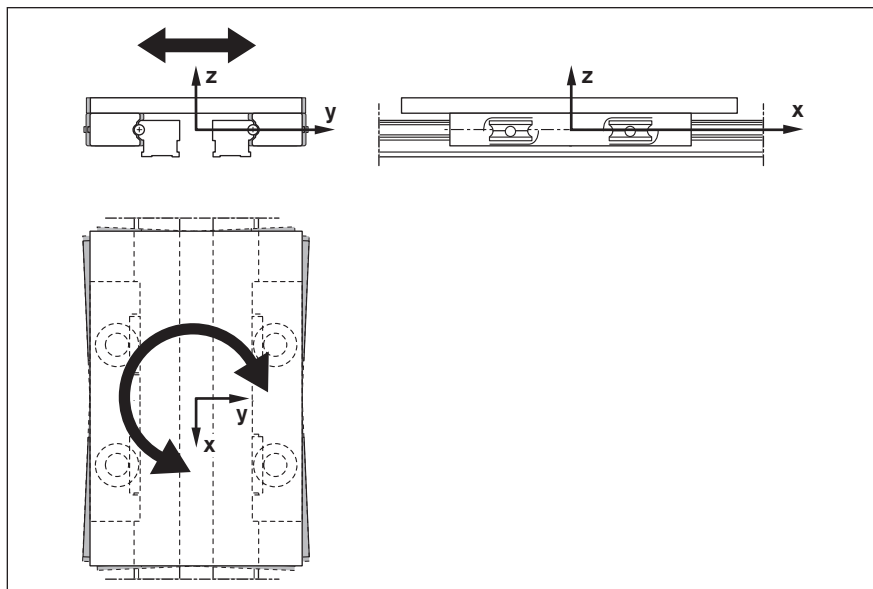
Part numbers, Load capacities and moment loads for calculating service life when using two double bearing runner blocks

Size -version	Part number	Load capacities				Moment loads					
		C_y (N)	C_{y0} (N)	C_z (N)	C_{z0} (N)	M_x (Nm)	M_{x0} (Nm)	M_y (Nm)	M_{y0} (Nm)	M_z (Nm)	M_{z0} (Nm)
32	R1904 132 10	7335	4560	4300	2200	$2.1 \cdot a$	$1.1 \cdot a$	105	55	180	110
52	R1904 152 10	17150	10200	10050	4900	$5.0 \cdot a$	$2.4 \cdot a$	330	158	561	337
52-h	R1904 252 10	27900	15400	16775	7630	$8.3 \cdot a$	$3.8 \cdot a$	631	289	1056	578
52-sh	R1904 352 10	31000	18200	18400	8750	$9.3 \cdot a$	$4.4 \cdot a$	740	350	1260	740

Advantage

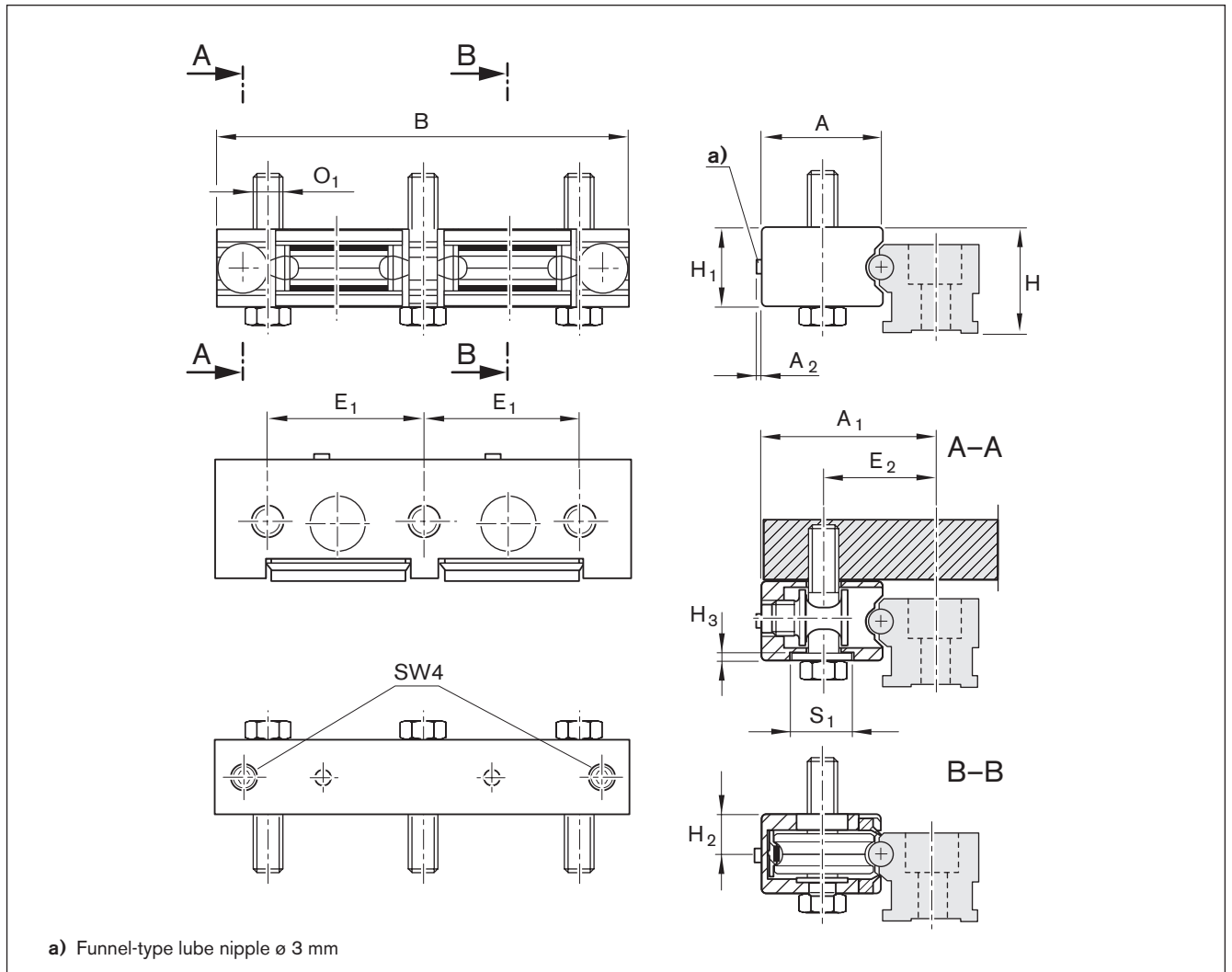
The adjustment screws provide for zero-clearance running.

These screws can be used to rotate the runner block slightly about the z axis or shift it along the y axis to obtain optimal alignment.



Important:

Observe maximum permissible loads due to forces and moments as shown in the "Maximum permissible loads" tables!



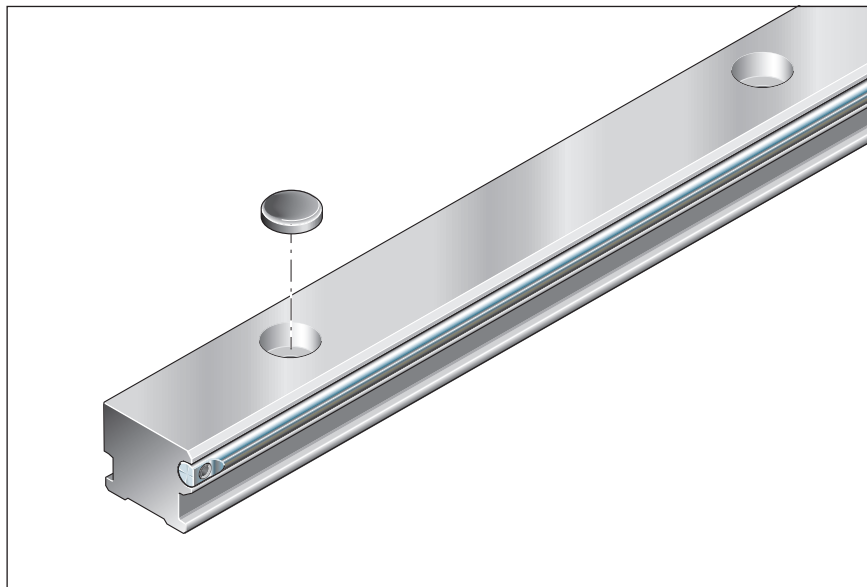
Size-version	Dimensions (mm)													Mass (kg)
	A	A ₁	A ₂	B	H	H ₁	H ₂	H ₃	E ₁	E ₂	S ₁	O ₁ ¹⁾		
32	31.0	43.0	2	129.0	26	20.5	11.0	2.5	48.0	27.0	18	M8	0.20	
52	44.5	65.0	2	159.0	40	29.5	14.9	2.5	60.5	42.0	22	M10	0.53	
52-h	52.0	72.5	2	184.5	42	33.5	16.9	3.0	71.0	45.0	26	M12	0.82	
52-sh	57.0	77.5	2	194.5	42	33.5	16.9	3.0	76.0	47.5	26	M12	1.01	

- 1) Mounting screws are not included in the supply.
 For screws to ISO 4014 8.8, install a washer to ISO 7089

Guide rails

Guide rail standard half-rail R1925

- For mounting from above
- Optional mounting hole plugs
- Corrosion resistant steel shafts
to DIN EN ISO 683-17 / EN 10088



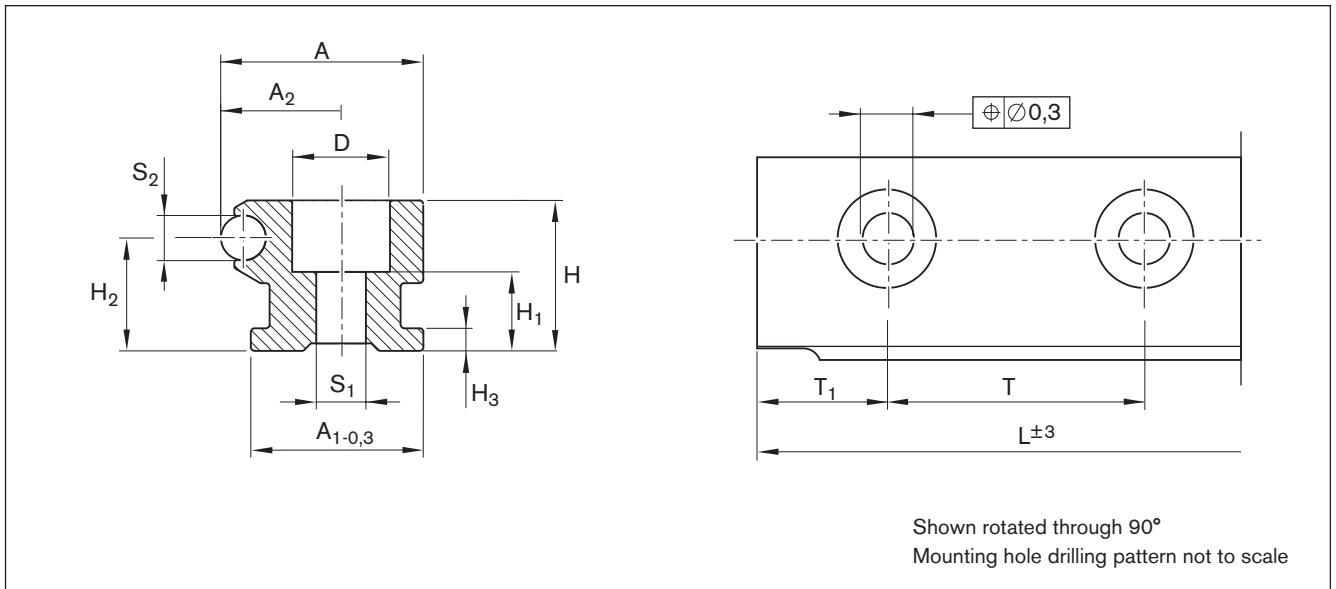
Part numbers, lengths

Guide rail: standard half-rail			without holes	with holes	Mounting hole plugs (optional)	
Size -version	Standard length ¹⁾ (mm)	L _{max} (mm)	Part number Length:;...(mm)	Part number Length:;...(mm)	Part number Quantity:;...	Holes per meter ²⁾
32	3500	7000	R1925 032 31,...	R1925 132 31,...	R1605 200 80,...	8
32-2	3500	7000	-	R1925 232 31,...	R1605 200 80,...	16
52	3500	7000	R1925 052 31,...	R1925 152 31,...	R1605 400 90,...	4
52-2	3500	7000	-	R1925 252 31,...	R1605 400 90,...	8
52-4	3500	7000	-	R1925 452 31,...	R1605 500 90,...	16

1) Running tracks up to 3500 mm are made of one-piece precision steel shafts.

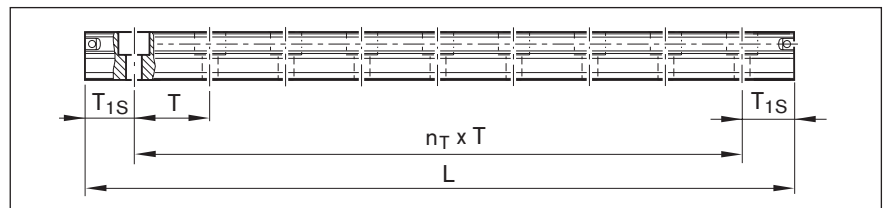
2) Number for one meter at preferred length T_{1S}

Size -version	Hole spacing T (mm)	Recommended rail length			
		Number of holes/Rail length L (mm)			
32-2, 52-4	62,5	2/121	10/621	18/1121	40/2496
		4/246	12/746	20/1246	50/3125
		6/371	14/871	24/1496	56/3496
		8/496	16/996	30/1871	
32, 52-2	125	2/246	10/1246	18/2246	28/3496
		4/496	12/1496	20/2496	
		6/746	14/1746	22/2746	
		8/996	16/1996	24/2996	
52	250	2/496	6/1496	14/3496	
		3/746	8/1996		
		4/996	10/2496		
		5/1246	12/2996		



Size -Version	Dimensions (mm)													Mass (kg/m)
	A	A ₁	A ₂	H	H ₁	H ₂	H ₃	D	S ₁	S ₂	T	T _{1S}	T _{1min.}	
32	26	22	16	20	9.5	15.0	3	11.0	6.5	6	125.0	60.50	13	1.3
32-2	26	22	16	20	9.5	15.0	3	11.0	6.5	6	62.5	29.25	13	1.3
52	42	36	26	34	19.0	25.1	5	20.0	11.0	10	250.0	123.00	20	3.5
52-2	42	36	26	34	19.0	25.1	5	20.0	11.0	10	125.0	60.50	20	3.5
52-4	42	36	26	34	17.0	25.1	5	24.0	13.0	10	62.5	29.25	20	3.5

Ordering a guide rail



Calculating guide rail length

Recommendation:

Use preferred length T_{1S} .

– Observe minimum spacing T_{1min} !
(see table)

– T_1 is the same at either end of the rail.

$$L = n_B \cdot T - 4$$

or

$$L = n_T \cdot T + 2 \cdot T_{1S}$$

L = rail length (mm)

T = hole spacing*) (mm)

T_{1S} = preferred dimension*) (mm)

n_B = number of holes

n_T = number of spaces

*) see table for values

Ordering example

Guide rail: size 25

Desired length: 620 to 625 mm

$$n_B = 620/T = 620/62.5 = 9.92$$

rounded to whole numbers
= 10 holes,

$$n_T = n_B - 1 = 9$$

Rail ordering data:

Part number, length (mm)

$T_1 / n_T \times T / T_1$ (mm)

R1925 232 31, 621

29.25 / 9 x 62.5 / 29.25

Mounting hole plug ordering data:

Part number, quantity

R1605 200 90, 10

Length to be ordered

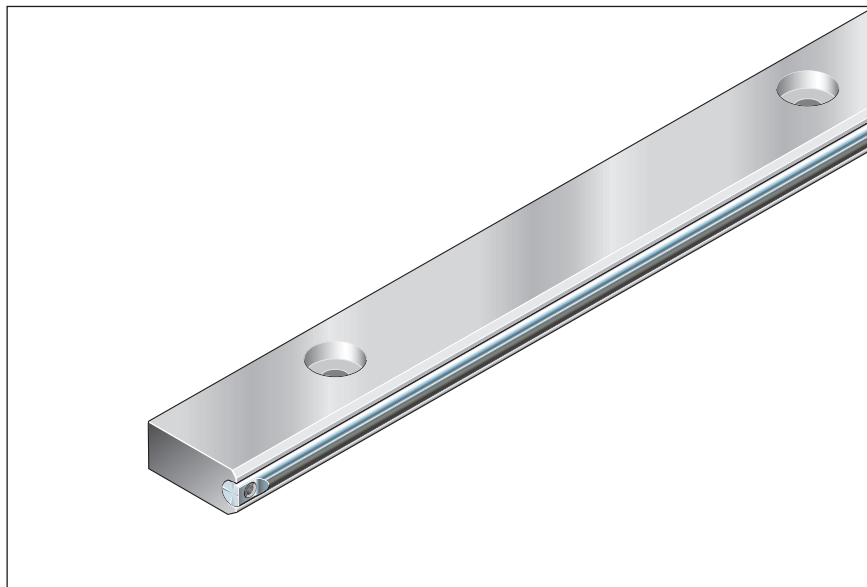
$$L = 10 \cdot 62.5 - 4 = 621 \text{ mm} \quad \text{or}$$

$$L = 9 \cdot 62.5 + 2 \cdot 29.25 = 621 \text{ mm}$$

Guide rails

Guide rail low-profile, half-rail R1926

- For mounting from above
- Corrosion resistant steel shafts to
DIN EN ISO 683-17 / EN 10088

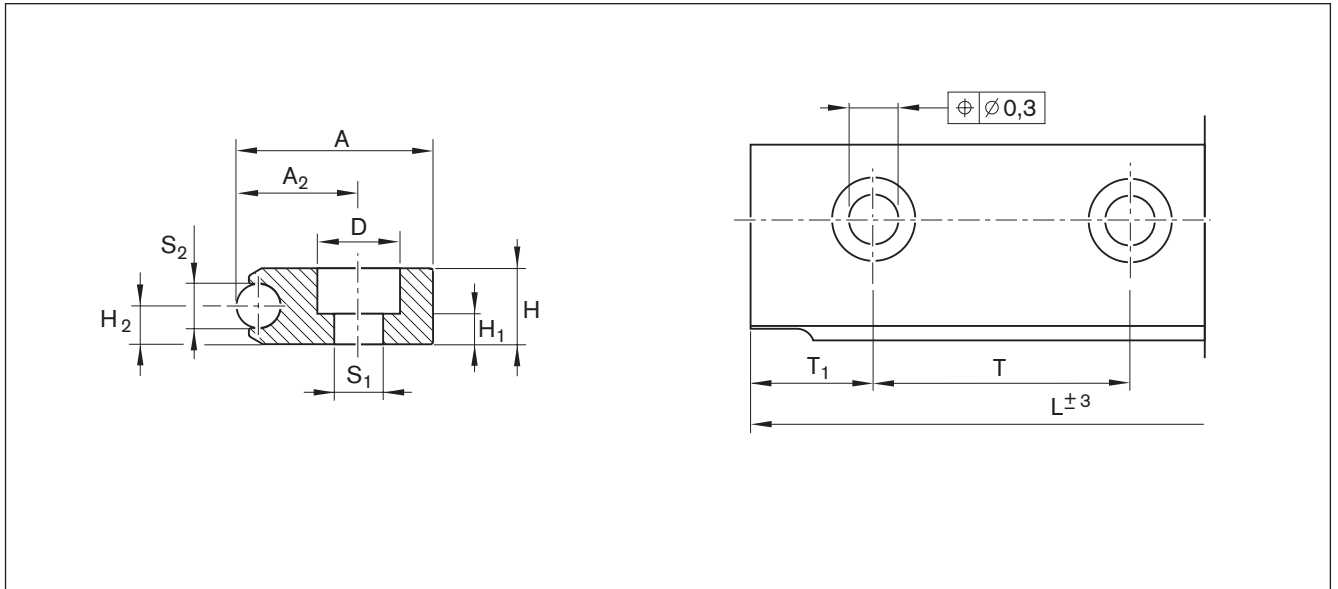


Part numbers, lengths

Guide rail: low-profile, half-rail			without holes	with holes
Size	Standard length ¹⁾	L _{max}	Part number	Part number
-version	(mm)	(mm)	Length;...(mm)	Length;...(mm)
32	3500	7000	R1926 032 31,...	R1926 132 31,...
32-2	3500	7000	-	R1926 232 31,...
52	3500	7000	R1926 052 31,...	R1926 152 31,...
52-2	3500	7000	-	R1926 252 31,...
52-4	3500	7000	-	R1926 452 31,...

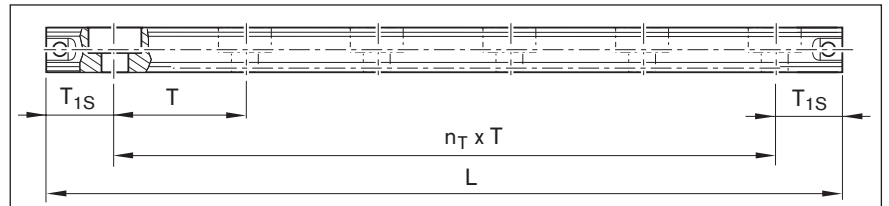
1) Running tracks up to 3500 mm are made of one-piece precision steel shafts.

Size	Hole spacing T	Recommended rail length			
		Number of holes/Rail length L (mm)			
-version	(mm)				
32-2, 52-4	62,5	2/121	10/621	18/1121	40/2496
		4/246	12/746	20/1246	50/3125
		6/371	14/871	24/1496	56/3496
		8/496	16/996	30/1871	
32, 52-2	125	2/246	10/1246	18/2246	28/3496
		4/496	12/1496	20/2496	
		6/746	14/1746	22/2746	
		8/996	16/1996	24/2996	
52	250	2/496	6/1496	14/3496	
		3/746	8/1996		
		4/996	10/2496		
		5/1246	12/2996		



Size -Version	Dimensions (mm)											Mass (kg/m)
	A	A ₂	H	H ₁	H ₂	D	S ₁	S ₂	T	T _{1s}	T _{1 min.}	
32	26	16	10	3.5	5	11.0	6.5	6	125.0	60.50	13	0.8
32-2	26	16	10	3.5	5	11.0	6.5	6	62.5	29.25	13	0.8
52	42	26	18	7.0	9	20.0	11.0	10	250.0	123.00	20	2.3
52-2	42	26	18	7.0	9	20.0	11.0	10	125.0	60.50	20	2.3
52-4	42	26	18	7.0	9	24.0	13.0	10	62.5	29.25	20	2.3

Ordering a guide rail



Calculating guide rail length

Recommendation:

Use preferred length T_{1s} .

- Observe minimum spacing $T_{1 \min}$!
(see table)
- T_1 is the same at either end of the rail.

$$L = n_B \cdot T - 4$$

or

$$L = n_T \cdot T + 2 \cdot T_{1s}$$

L = rail length (mm)

T = hole spacing*) (mm)

T_{1s} = preferred dimension*) (mm)

n_B = number of holes

n_T = number of spaces

*) see table for values

Ordering example

Guide rail: size 25

Desired length: 620 to 625 mm

$$n_B = 620/T = 620/62.5 = 9.92$$

rounded to whole numbers
= 10 holes,

$$n_T = n_B - 1 = 9$$

Rail ordering data:

Part number, length (mm)

$T_1 / n_T \times T / T_1$ (mm)

R1926 232 31, 621

29.25 / 9 x 62.5 / 29.25

Length to be ordered

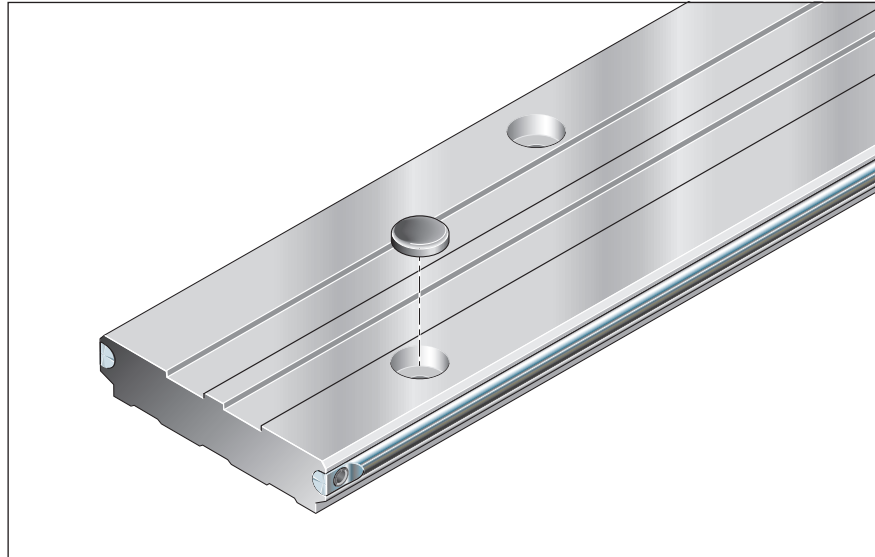
$$L = 10 \cdot 62.5 - 4 = 621 \text{ mm} \quad \text{or}$$

$$L = 9 \cdot 62.5 + 2 \cdot 29.25 = 621 \text{ mm}$$

Guide rails

Guide Rail wide R1927

- For mounting from above
- Optional mounting hole plugs
- Corrosion resistant steel shafts to DIN EN ISO 683-17 / EN 10088



Part numbers, lengths

Guide rail: wide			without holes	with holes	Mounting hole plugs (optional)	
Size -version	Standard length ¹⁾ (mm)	L _{max} (mm)	Part number Length;... (mm)	Part number Length;... (mm)	Part number Quantity;...	Holes per meter ²⁾
52/120	3500	7000	R1927 052 31,...	R1927 152 31,...	R1605 400 90,...	8

- 1) Running tracks up to 3500 mm are made of one-piece precision steel shafts
 2) Number for one meter at preferred length

Ordering a guide rail

Wherever possible, use the recommended rail lengths (1.). Intermediate lengths (2.) or special lengths (3.) may also be manufactured on request. Please check at $T_1 > T$.

- L = rail length (mm)
- n_B = number of holes (both rows)
- n_T = number of spaces between holes (n_T = n_B - 1)
- T₁, T₂ = end spaces, see drawings (mm)
- T = hole spacing (125 mm)

Ordering data

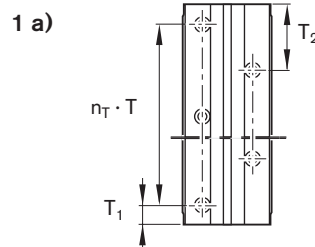
1. Recommended rail length:
 Odd number of holes n_B
 $T_1 \neq T_2$

Preferred dimensions T₁: 60.5 mm,
 T₂: 185.5 mm

By turning the rail over it is possible to alternate between mounting hole pattern 1a) and 1b). When this is done, T₁ becomes T₂ and vice versa.

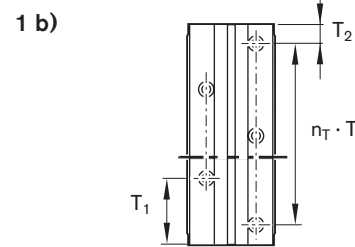
Rail ordering data:

Part number, length L (mm)
T₁ / n_T x T / T₂ (mm)



Mounting hole plug ordering data:

Part number, quantity = n_B
Example: R1605 400 90, 11



Calculating the rail length

- Observe minimum spacing T_{1,2 min!} (see table)

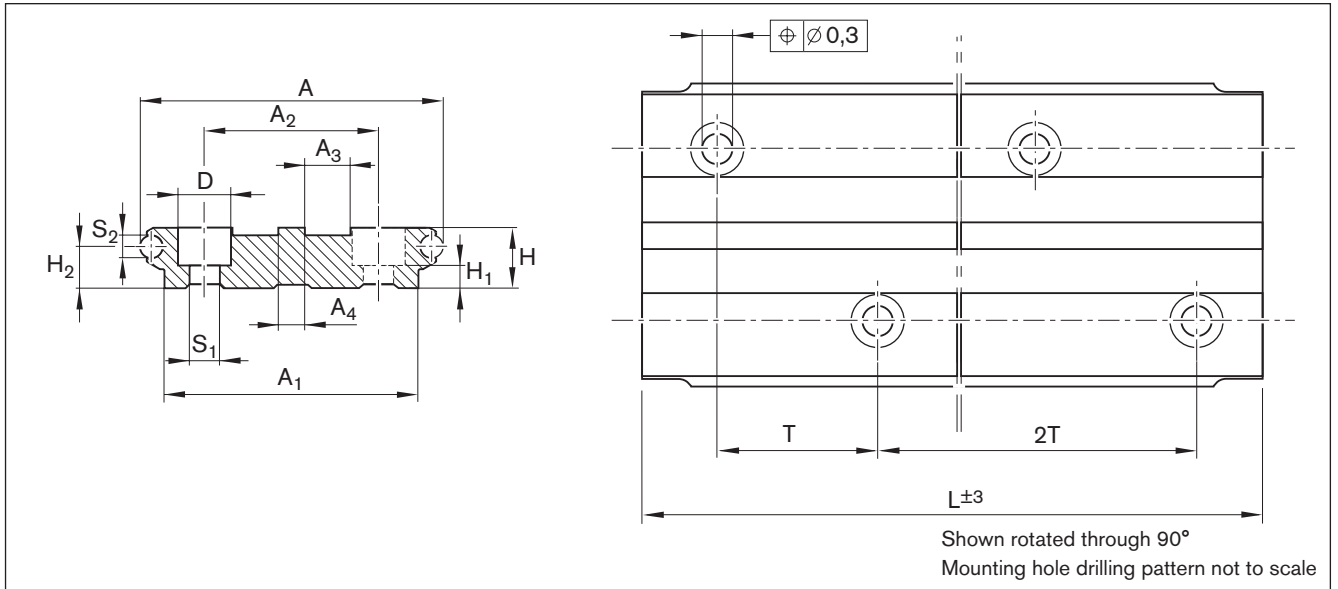
- (1) $L = n_B \cdot 125 - 4$
 or
 (2) $L = n_T \cdot 125 + 121$

- Example:
 (1) $L = 11 \cdot 125 - 4 = 1371$ mm or
 (2) $L = 10 \cdot 125 + 121 = 1371$ mm

Ordering example for recommended rail length

R1927 152 31, 1371
60.5 / 10 x 125 / 185.5

Number of holes n_B = 11
 Number of spaces between holes n_T = 10



Size -Version	Dimensions (mm)													Mass (kg/m)
	A	A ₁	A ₂	A ₃	A ₄	H	H ₁	H ₂	D	S ₁	S ₂	T	T _{1,2 min.}	
52/120	120	100	68	18	10	25	10	16.1	20	11	10	125	13	7.8

2. Intermediate length:

Even number of holes n_B

The mounting hole drilling pattern remains the same when the rail is turned over.

Dimensions T₁ and T₂ remain the same and can therefore not be matched to a different pre-drilled hole pattern.

T₁ = T₂ = 60.5 mm or

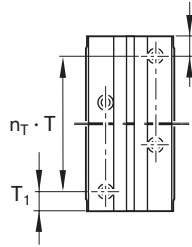
T₁ = T₂ = 185.5 mm

(preferred dimensions)

Calculate the length according to item 1.

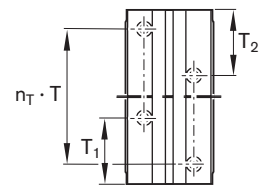
"Recommended rail length"

2 a)



Ordering example: Rail 2a:
R1927 152 31, 1496 mm
60.5 / 11 x 125 / 60.5

2 b)



Ordering example: Rail 2b:
R1927 152 31, 1496 mm
185.5 / 11 x 125 / 185.5

3. Special length:

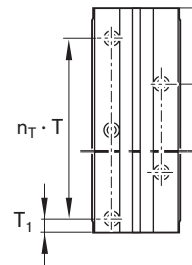
Odd (3a) or even (3b) number of holes n_B

If the preferred dimensions T₁ and T₂ cannot be used (neither the recommended rail lengths nor intermediate lengths), determine T₁ and T₂ as required.

T₁ and T₂ must not fall within the following ranges:

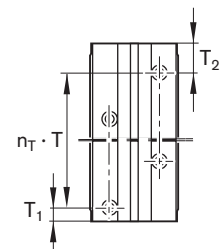
0 to 13 and 112 to 139 mm

3 a)



Ordering example: Rail 3a:
R1927 152 31, 1305 mm
20 / 10 x 125 / 160

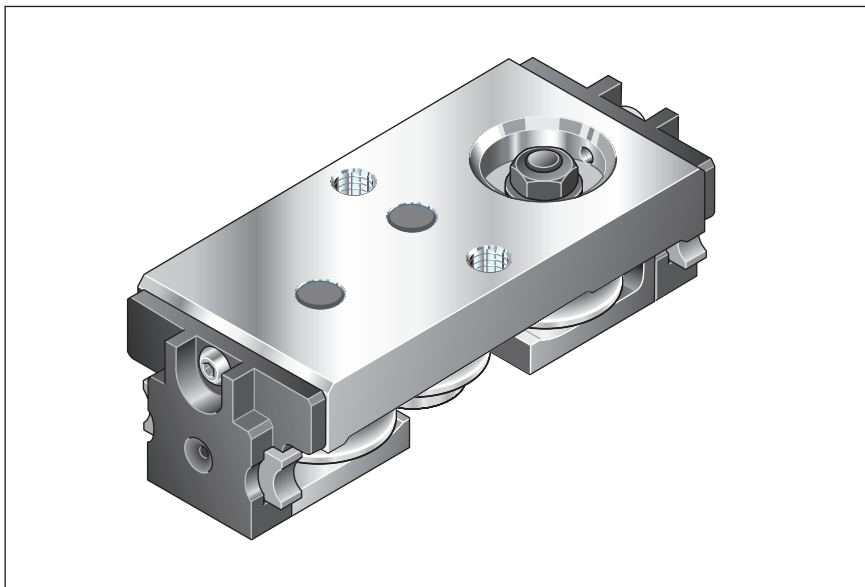
3 b)



Ordering example: Rail 3b:
R1927 152 31, 1435 mm
20 / 11 x 125 / 40

U-type runner blocks

U-type runner block R1905

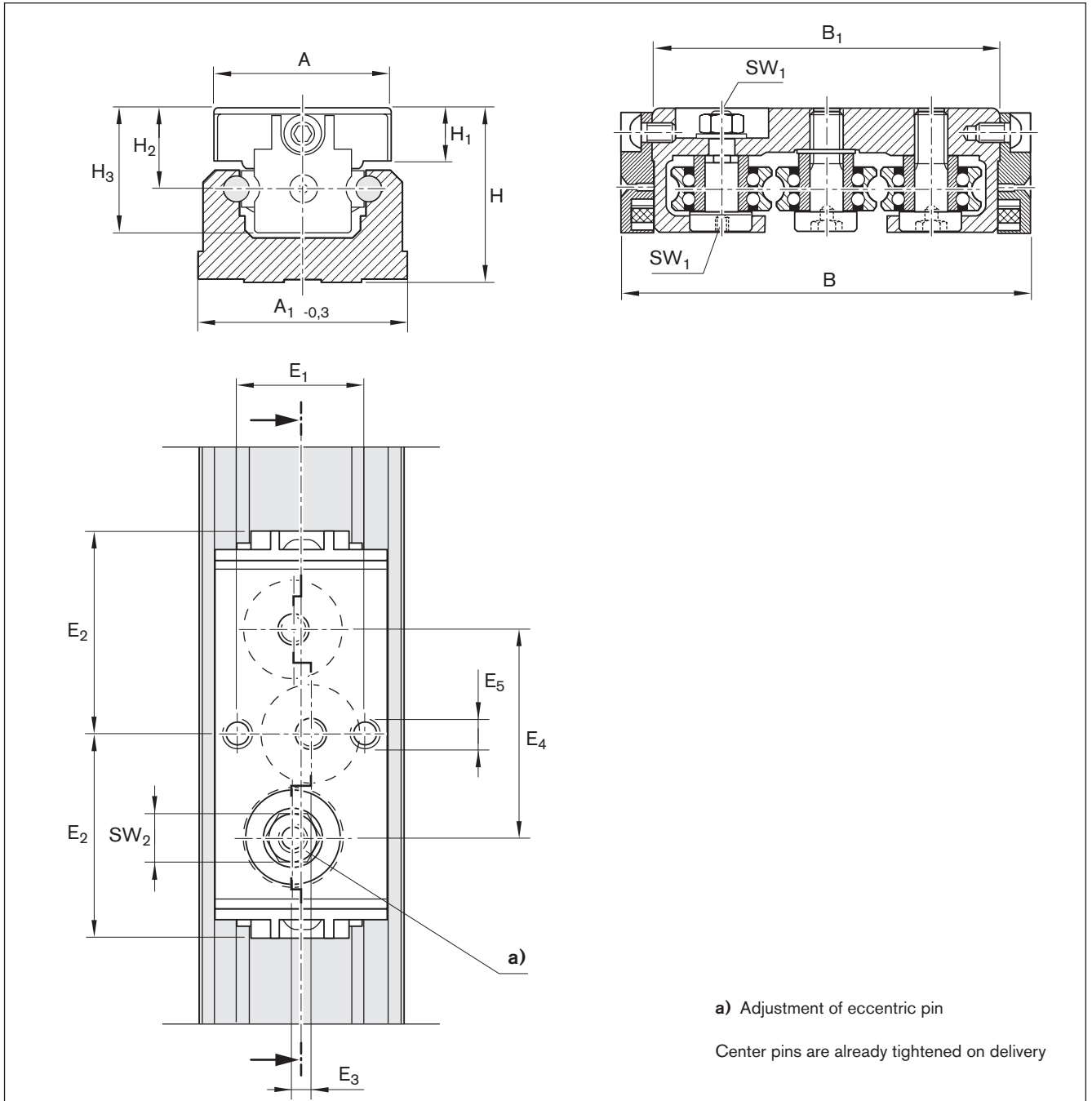


Part numbers,
Load capacities and moment loads for
calculating service life

		Load capacities				Moment loads					
Size -version	Part number	C_y (N)	C_{y0} (N)	C_z (N)	C_{z0} (N)	M_x (Nm)	M_{x0} (Nm)	M_y (Nm)	M_{y0} (Nm)	M_z (Nm)	M_{z0} (Nm)
20	R1905 119 00	1150	800	668	392	4.8	2.8	11.3	6.6	19.5	13.5

Important:

Observe maximum permissible loads due to forces and moments as shown in the "Maximum permissible loads" tables!

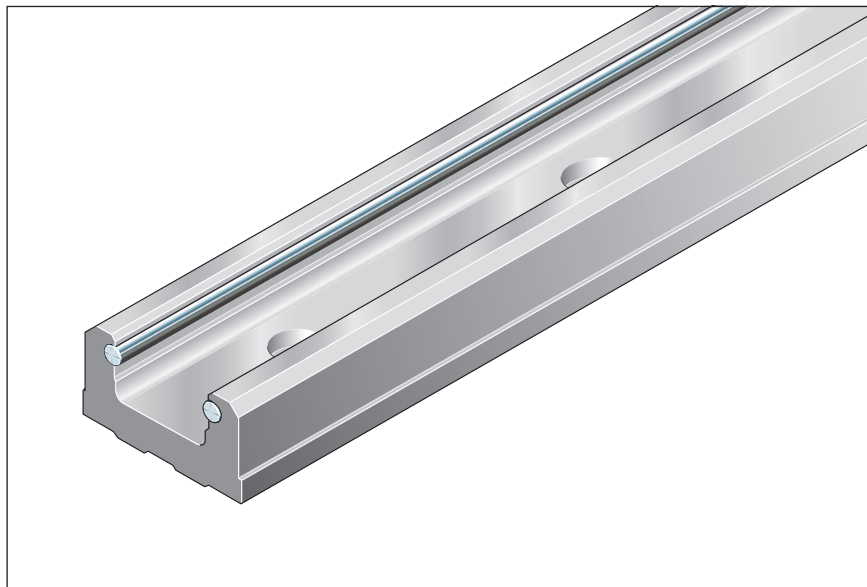


Size -Version	Dimensions (mm)															Mass (kg)
	A	A ₁	B	B ₁	H	H ₁	H ₂	H ₃	E ₁	E ₂	E ₃	E ₄	E ₅	SW ₁	SW ₂	
20	28	33	66	56	28	8.5	13	20	20	33	3	34	M5	2	7	0.08

U-type guide rails

U-type guide rail R1923

- For mounting from above
- Corrosion resistant steel shafts to DIN EN ISO 683-17 / EN 10088

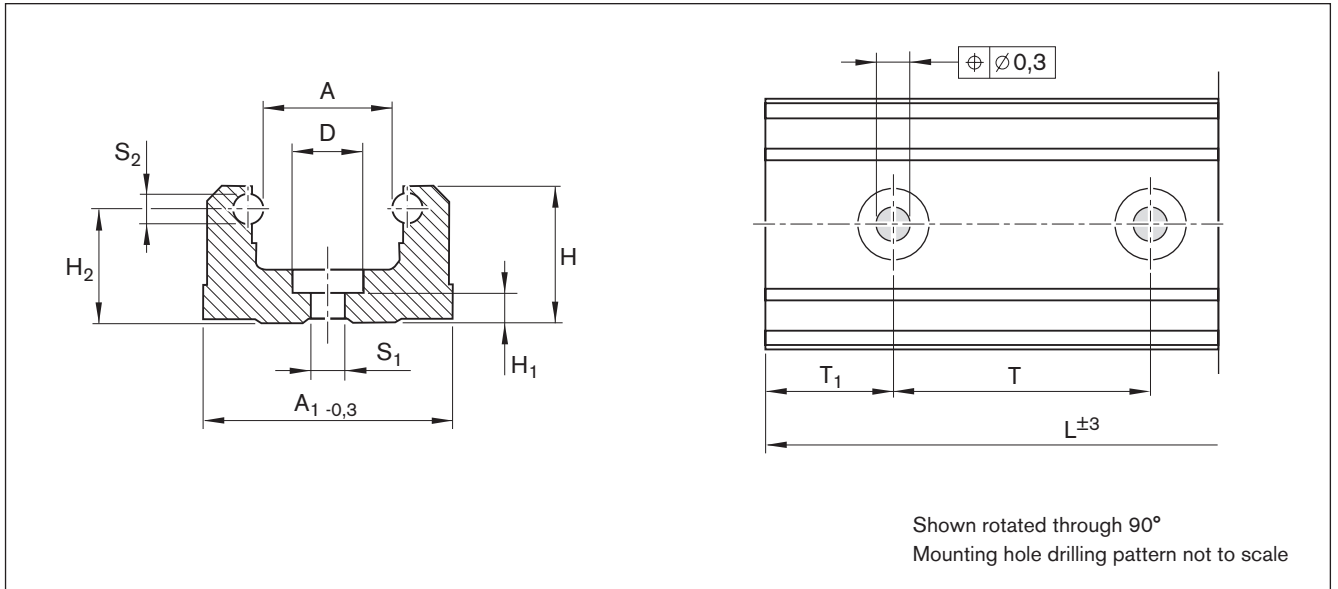


Part numbers, lengths

Guide Rail: U-type			without holes	with holes
Size	Standard length ¹⁾ (mm)	L _{max} (mm)	Part number Length;...(mm)	Part number Length;...(mm)
20	3500	7000	R1923 019 31,...	R1923 119 31,...

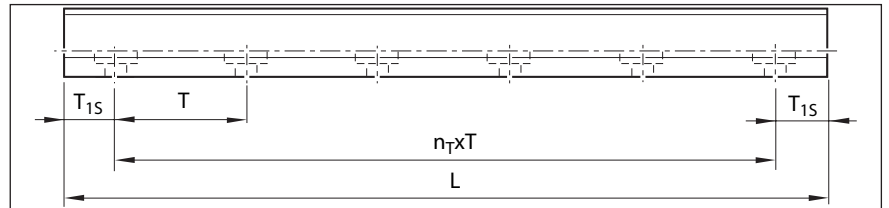
1) Running tracks up to 3500 mm are made of one-piece precision steel shafts

size -version	Hole spacing T (mm)	Recommended rail length			
		Number of holes/Rail length L (mm)			
20	62,5	2/121	10/621	18/1121	40/2496
		4/246	12/746	20/1246	50/3125
		6/371	14/871	24/1496	56/3496
		8/496	16/996	30/1871	



Size -version	Dimensions (mm)											Mass (kg/m)
	A	A ₁	H	H ₁	H ₂	D	S ₁	S ₂	T	T _{1S}	T _{1 min.}	
20	17	33	18	3.4	15	9.4	4.5	4	62.5	29.25	13	1.10

Ordering a guide rail



Calculating guide rail length

Recommendation:

Use preferred length T_{1S}.

- Observe minimum spacing T_{1 min}! (see table)
- T₁ is the same at either end of the rail.

$$L = n_B \cdot T - 4$$

or

$$L = n_T \cdot T + 2 \cdot T_{1S}$$

L = rail length (mm)
 T = hole spacing*) (mm)
 T_{1S} = preferred dimension*) (mm)
 n_B = number of holes
 n_T = number of spaces
 *) see table for values

Ordering example

Guide rail: size 25
 Desired length: 620 to 625 mm
 $n_B = 620/T = 620/62.5 = 9.92$
 rounded to whole numbers
 = 10 holes,
 $n_T = n_B - 1 = 9$

Rail ordering data:
 Part number, length (mm)
 T₁ / n_T x T / T₁ (mm)
R1923 119 31, 621
29.25 / 9 x 62.5 / 29.25

Length to be ordered

$$L = 10 \cdot 62.5 - 4 = 621 \text{ mm} \quad \text{or}$$

$$L = 9 \cdot 62.5 + 2 \cdot 29.25 = 621 \text{ mm}$$

Accessories

Dead stop R1910 5.. 00

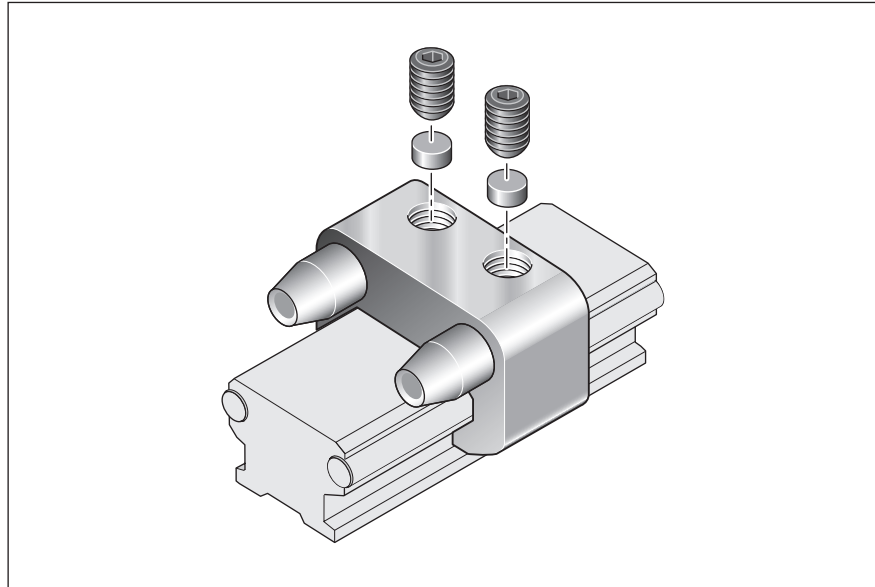
The dead stop can be used with guide rails 1921- (standard), 1922- (with T-slot) and 1924 (low-profile).

Holding force: 1500 N

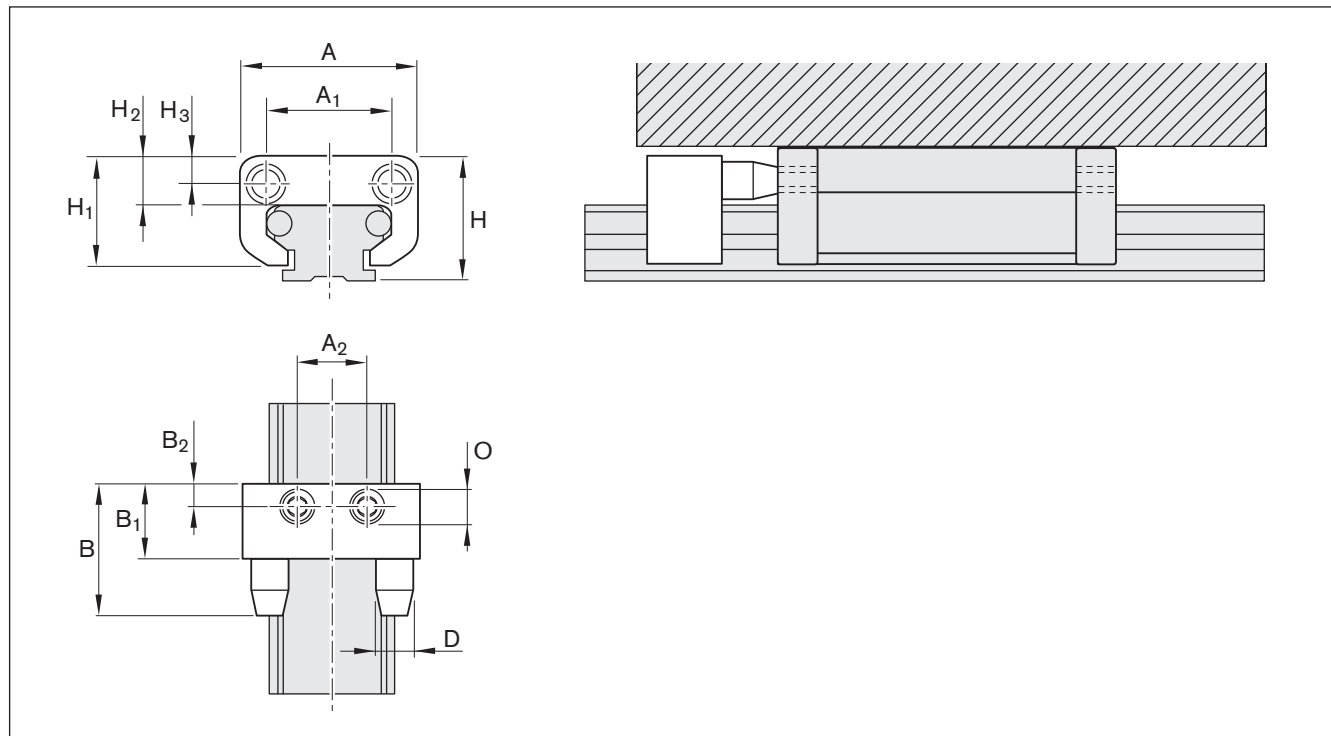
If a set screw to ISO 7434 is used without a soft-metal pin, there will be a pressure point in the guide rail.

The resulting contour locking effect will increase the holding force.

The lubrication unit is reinforced in the area corresponding to the dead stop.



Dead stop Size	For guide rails	
	Part number	Part number
32	R1910 532 00,...	R1921, R1922, R1924
52	R1910 552 00,...	R1921, R1922, R1924



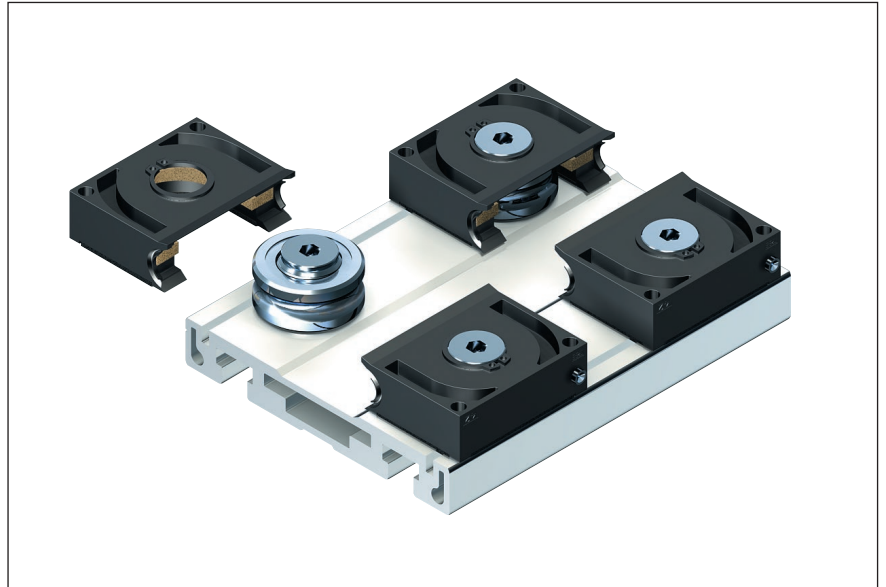
Size -Version	Dimensions (mm)												Mass (kg)
	A	A ₁	A ₂	B	B ₁	B ₂	D	H	H ₁	H ₂	H ₃	O	
32	46	33	18	35	20	5.5	10	33.5	29	13	7.5	M8	0.05
52	70	46	32	43	23	5.5	16	53.0	42	18	9.0	M8	0.11

Lubrication unit for profile runner blocks

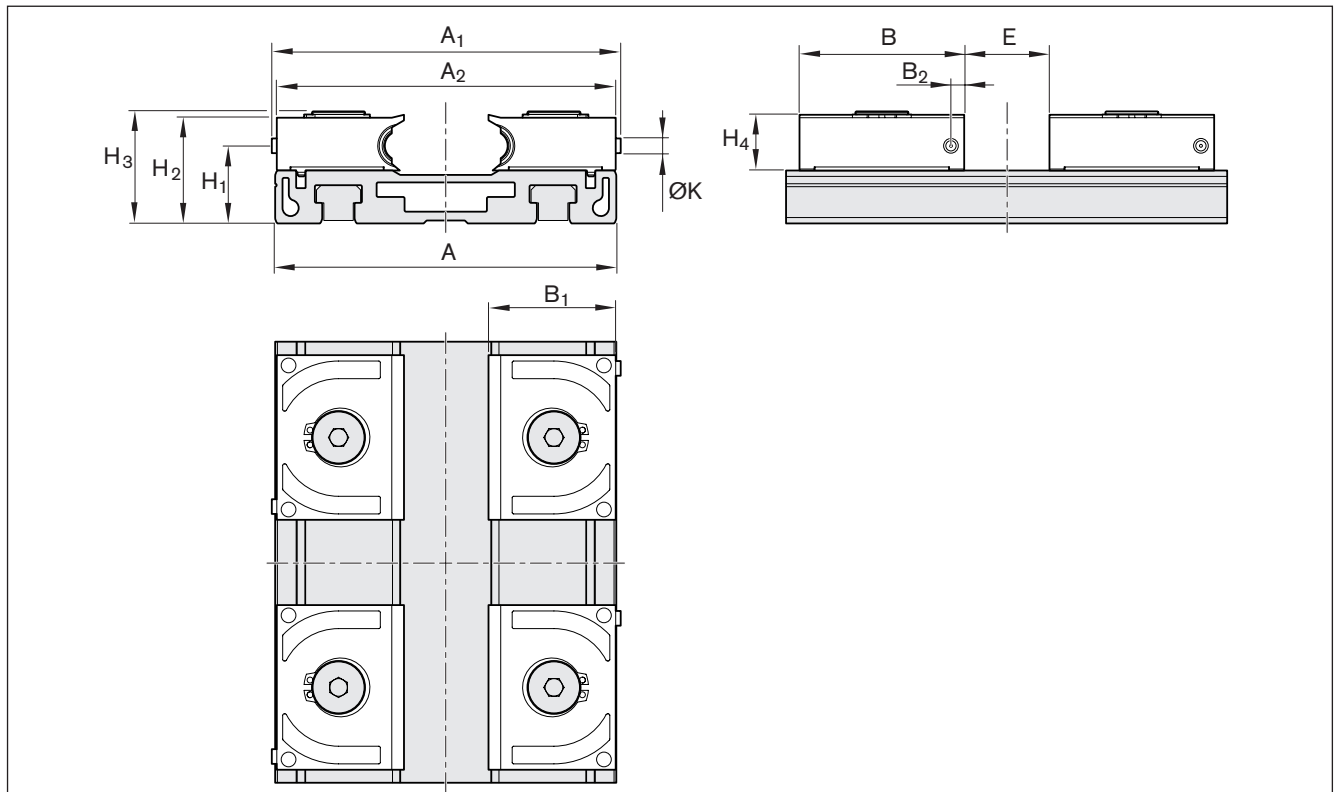
The R1910 442 00 lubrication unit was specially developed for the cam roller of the R1907 142 00 profile runner block. The lubrication unit must be filled with a lubricant oil CLP, CGLP as per DIN 51517 with a viscosity of VG 680–1000 mm²/s as per DIN 51519.

- Fill a total of 3 cm³ of lubricant oil per lubrication unit via lube nipple in two partial amounts of 1.5 cm³ each at a distance of 30 min.

Four lubrication units are required for complete lubrication of the R1907 142 00 profile runner block.



Lubrication unit	For profile runner blocks	
Size	Part number	Part number
42	R1910 442 00	R1907 142 00



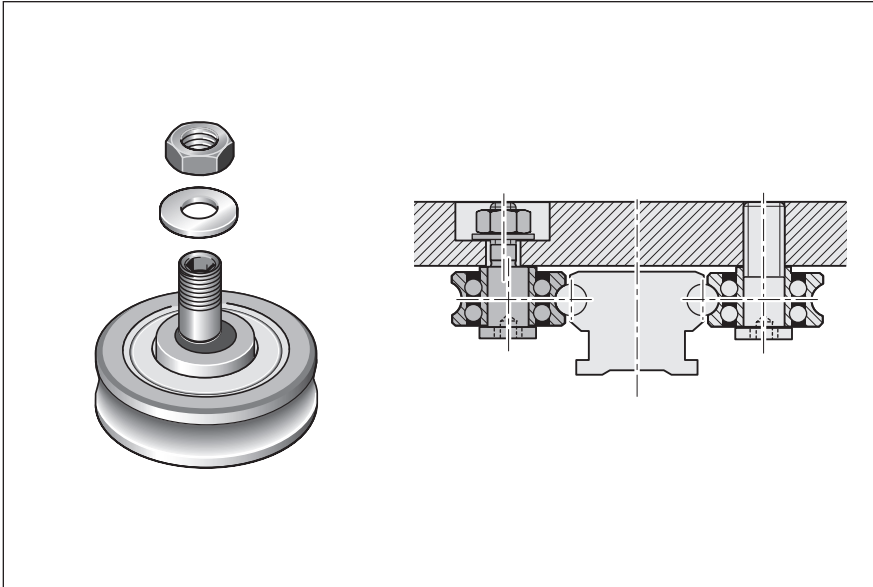
Size	Dimensions (mm)												
	A	A ₁	A ₂	B	B ₁	B ₂	H ₁	H ₂	H ₃	H ₄	E	K	
42	116	118.65	115.25	56	43.25	4.5	26.25	35.8	38.1	18.8	29	5	

Cam rollers with spigots, assembly kits

Cam roller with eccentric spigot R19000

For mounting customer-built carriages, with central and eccentric spigots for zero-clearance adjustment to the guide rail.



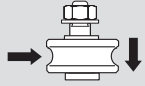
For applications where even the versatile standard range does not offer the optimum solution to your problem.

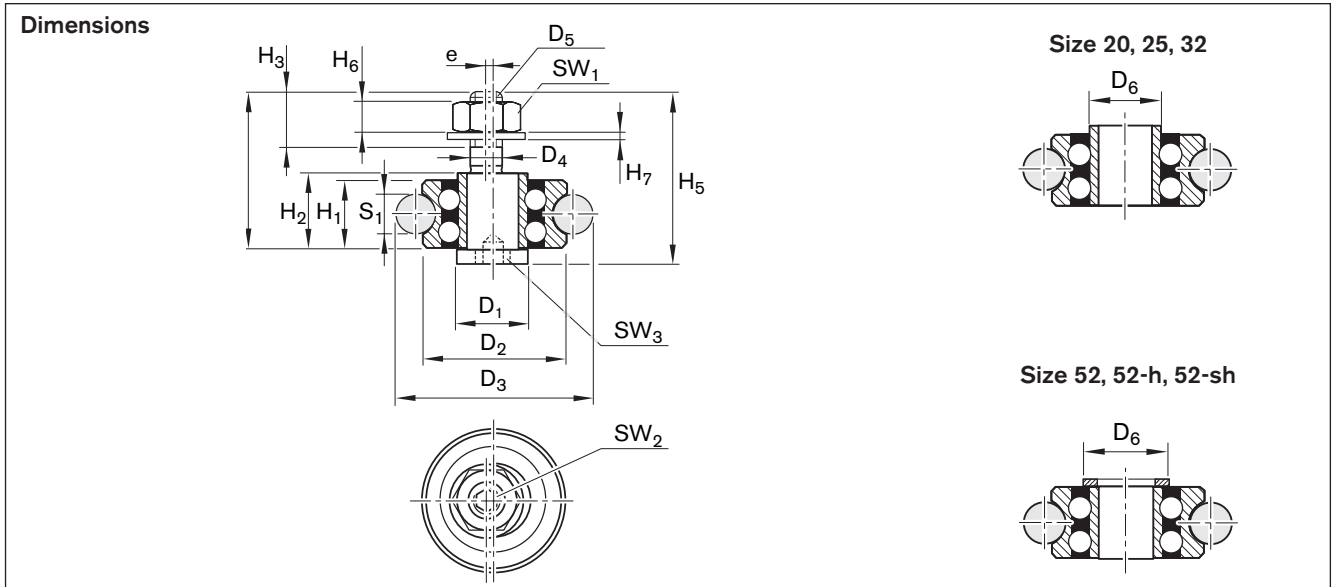


Part numbers

Load capacities for calculating service life

Maximum permissible loads

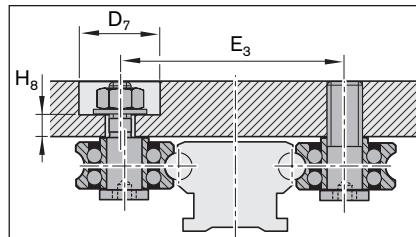
Size -version	Part number	Load capacities				Maximum permissible loads	
		 C_y (N)	C_{y0} (N)	 C_z (N)	C_{z0} (N)	 $F_{y \max}$ (N)	$F_{z \max}$ (N)
20	R1900 119 00	1150	800	330	190	350	100
25	R1900 125 00	1280	890	340	200	350	100
32	R1900 132 00	3670	2280	1080	550	550	180
52	R1900 152 00	8580	5100	2510	1230	2500	700
52-h	R1900 152 10	13950	7700	4190	1910	2600	800
52-sh	R1900 152 20	15500	9100	4600	2190	5300	1600



Size -version	Dimensions (mm)																	
	D ₁ g6	D ₂	D ₃	D ₄ g6	D ₅	D ₆	H ₁	H ₂	H ₃	H ₄	H ₅	H ₆	H ₇	SW ₁	SW ₂	SW ₃	e	S ₁
20	10	16	22.0	4	M4	9.0	7.0	8.5	4.6	16.0	19.5	3.2	0.8	7	2	2	0.45	4
25	10	17	27.0	4	M4	9.0	7.0	8.5	5.5	17.4	21.4	3.2	0.8	7	2	2	0.45	6
32	14	24	34.0	6	M6	11.8	11.0	12.5	7.0	25.5	29.0	5.2	1.6	10	3	4	0.90	6
52	20	35	51.3	10	M10	19.0	15.9	17.9	11.0	36.5	41.5	8.4	2.0	16	4	6	0.90	10
52-h	20	42	58.0	10	M10	19.0	19.0	21.0	11.0	44.3	50.3	8.4	2.0	16	4	6	0.90	10
52-sh	25	47	63.3	12	M12x1	24.0	19.0	21.0	13.0	44.3	50.3	10.8	2.5	18	6	8	0.90	10

Recommended hole spacing when using the following cam roller guide rails:

- Standard R1921
- With T-slot R1922
- Low-profile R1924-



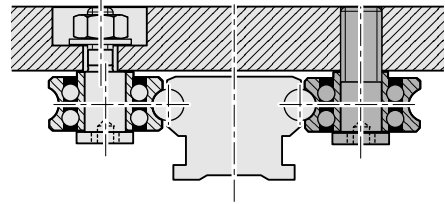
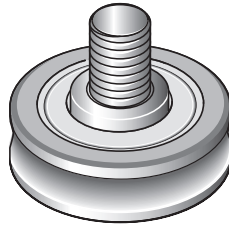
Size -Version	E ₃ ± 0,2	D ₇	H ₈
20	33.8	15	3.0
25	39.8	15	3.6
32	54.0	18	5.5
52	83.3	30	7.3
52-h	90.0	30	11.8
52-sh	95.0	34	9.3

Cam rollers with spigots, assembly kits

Cam roller with central spigot R19000

For mounting customer-built carriages, with central and eccentric spigots for zero-clearance adjustment to the guide rail.



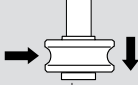
For applications where even the versatile standard range does not offer the optimum solution to your problem.

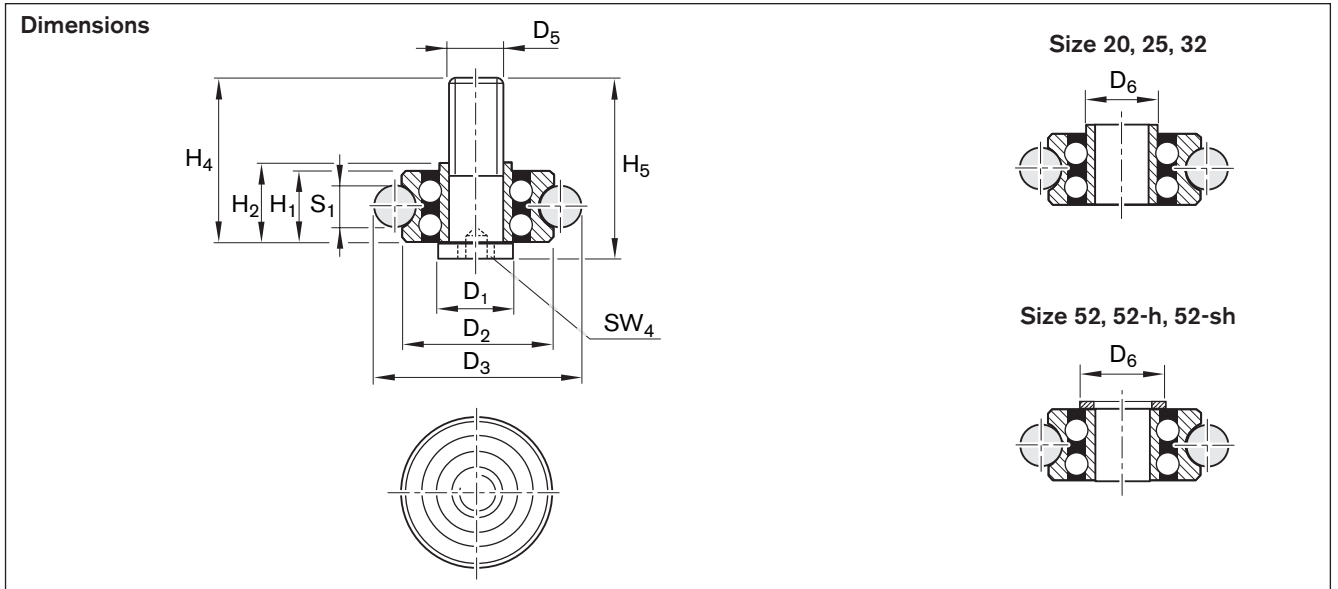


Part numbers

Load capacities for calculating service life

Maximum permissible loads

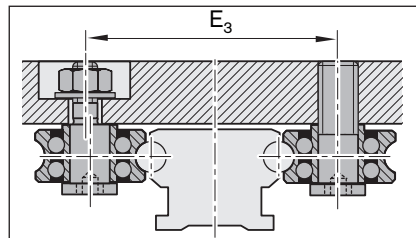
Size -version	Part number	Load capacities				Maximum permissible load	
		 C_y (N)	C_{y0} (N)	 C_z (N)	C_{z0} (N)	 $F_{y \max}$ (N)	$F_{z \max}$ (N)
20	R1900 119 01	1150	800	330	190	350	100
25	R1900 125 01	1280	890	340	200	350	100
32	R1900 132 01	3670	2280	1080	550	550	180
52	R1900 152 01	8580	5100	2510	1230	2500	700
52-h	R1900 152 11	13950	7700	4190	1910	2600	800
52-sh	R1900 152 21	15500	9100	4600	2190	5300	1600



Size-version	Dimensions (mm)										
	D ₁ g6	D ₂	D ₃	D ₅	D ₆	H ₁	H ₂	H ₄	H ₅	SW ₄	S ₁
20	10	16	22.0	M5	9.0	7.0	8.5	16.0	19.5	4	4
25	10	17	27.0	M5	9.0	7.0	8.5	17.4	21.4	4	6
32	14	24	34.0	M8	11.8	11.0	12.5	25.5	29.0	5	6
52	20	35	51.3	M10	19.0	15.9	17.9	36.5	41.5	8	10
52-h	20	42	58.0	M12	19.0	19.0	21.0	44.3	50.3	8	10
52-sh	25	47	63.3	M12	24.0	19.0	21.0	44.3	50.3	10	10

Recommended hole spacing when using the following cam roller guide rails:

- Standard R1921
- With T-slot R1922
- Low-profile R1924-



Size-Version	E ₃ ± 0.2
20	33.8
25	39.8
32	54.0
52	83.3
52-h	90.0
52-sh	95.0

Bosch Rexroth AG

Ernst-Sachs-Straße 100
97424 Schweinfurt, Germany
Tel. +49 9721 937-0
Fax +49 9721 937-275
www.boschrexroth.com

Find your local contact person here:

www.boschrexroth.com/contact